

PENSTOCK VALVE

square or round opening

DN 100 - 1200

04.400



Product description

- Penstock valve with non-rising stem with square or round opening for water, rainwater and residual/ waste water
- Service temperature from 0°C (excluding frost) to 70°C

Standards

- Lower leakage rate than the maximum allowable in DIN 19569-4 and BS 7775

Corrosion protection

- The surface protected against corrosion applying Primer and then coated with epoxy paint RAL 5005 it with epoxy paint

Features

- Isolation valve that provides a robust, quality flow control solution for water, rainwater and residual/ waste water applications
- Application in open air hydraulic installations, such as dams, reservoirs, channels, among others
- Available with square or round opening
- The water sectioning is made through an obturator which moves vertically through a spindle which can be commanded manually, pneumatically or electrically
- Bi-directional valve can be installed in water columns deeper than 10 metres, has a strong and durable design, for effective flow control
- Seat, slides and stem in AISI 304 stainless steel (as an alternative AISI 316L)
- The seals on a penstock valve are specially designed to give the best degree of water tightness, assuming the unit is installed correctly
- Expanding or resin-type anchor bolts are used to secure the penstock valve to the wall
- Accessories: handwheel [ref.05.110], stem cap male or female [ref. 05.210], extension spindle with stem cap and bottom adaptor [ref. 05.310] and headstock [ref. 05.900], electric or pneumatic command.



Fucoli Somepal
FUNDAÇÃO DE FERRO, S. A.

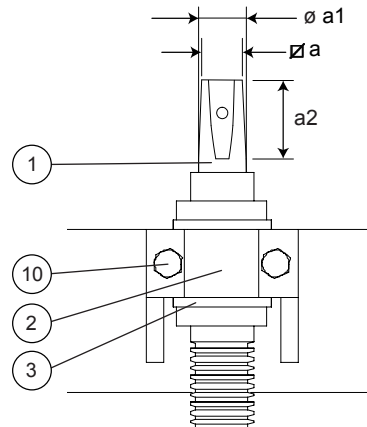
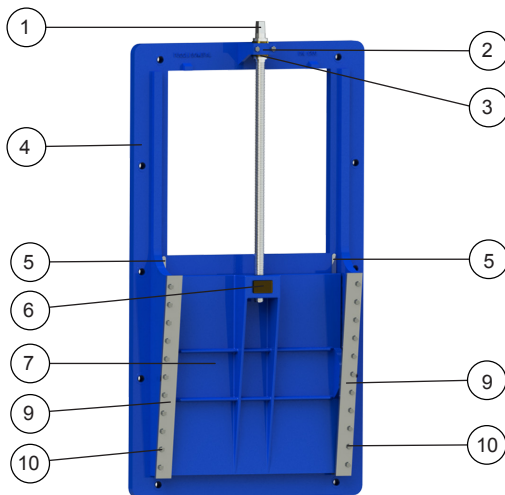
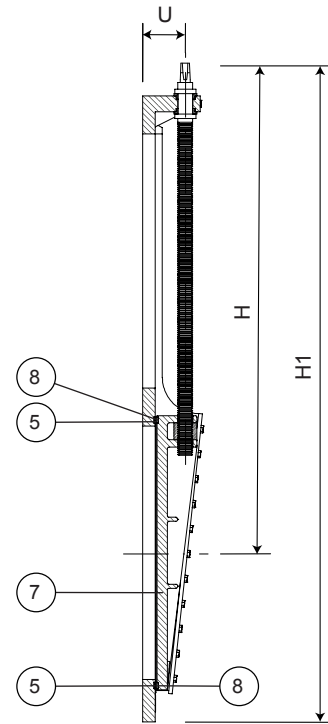
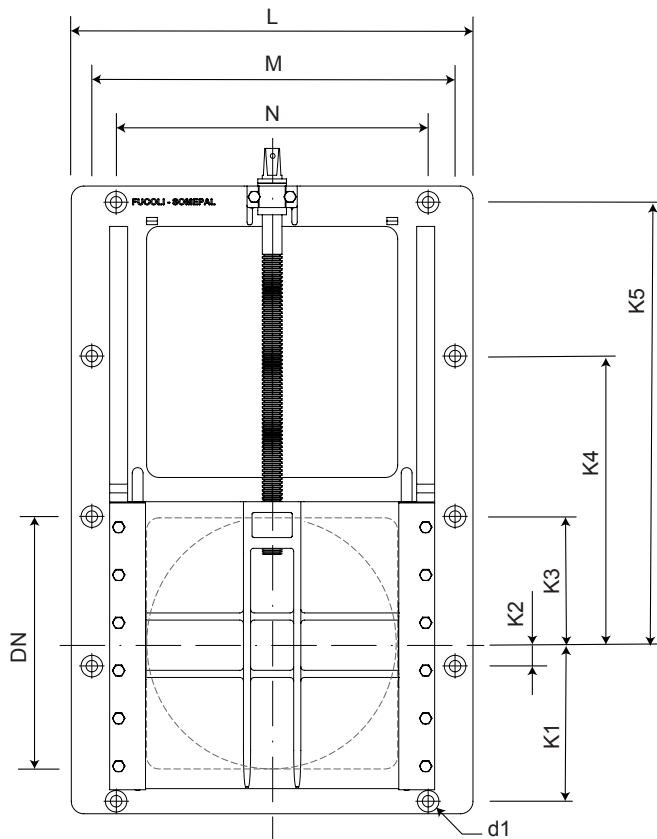
Visit our website at www.fucoli-somepal.pt

Head office: Estrada de Coselhas, 3000-125 Coimbra – Portugal | Tel.: (+351) 239 490100 | Fax: (+351) 239 490198

Branch office: Rua de Aveiro 50, 3050-420 Pampilhosa – Portugal | Tel.: (+351) 239 490100 | Fax: (+351) 231 949292 | comercial@fucoli-somepal.pt

PENSTOCK VALVE
square or round opening
DN 100 - 1200

04.400



DN 100 to DN 1200

Component list

pos.	components	material	standard
1	Stem	Stainless steel AISI 304 (AISI 316L*)	EN 10088 - 1
2	Bearing	Ductile iron EN-GJS-500-7	EN 1563
3	Bearing sleeve	Bronze $CuSn_7Zn_4Pb_7$	EN 1982
4	Body	Ductile iron EN-GJS-500-7	EN 1563
5	Body seat	Stainless steel AISI 304 (AISI 316L*)	EN 10088 - 1
6	Stem nut	Bronze $CuSn_7Zn_4Pb_7$	EN 1982
7	Obturator	Ductile iron EN-GJS-500-7	EN 1563
8	Obturator seat	Stainless steel AISI 304 (AISI 316L*)	EN 10088 - 1
9	Slides	Stainless steel AISI 304	EN 10088 - 1
10	Bolts	Steel zinc plated cl 8.8	ISO 898 - 1

* Penstock valve model AISI 316L

continued on next page

PENSTOCK VALVE
square or round opening
DN 100 - 1200

04.400



continued from previous page

Reference and dimensions

Dimensions common to all models

DN	L	H	H1	U	M	N	K1	K2	K3	K4	K5	n° x d1	∅ a	∅ a1	a2	turns to open
	mm	mm	mm	mm	mm	mm	mm	mm	mm	mm	mm	mm	mm	mm	mm	
100	227	309	406	60	-	170	90	-	-	-	230	4 x 18	17.1	22	34	20
150	300	393	548	70	-	230	120	-	-	-	310	4 x 18	19.1	28	38	30
200	350	480	660	75	-	290	150	-	-	-	390	4 x 23	24.1	32	42	33
250	430	582	797	80	-	370	185	-	-	-	485	4 x 23	24.1	32	42	41
300	550	655	890	90	485	410	210	-	175	-	560	6 x 23	27.1	36	47	50
350	600	725	985	90	535	455	230	-	200	-	635	6 x 23	27.1	40	47	44
400	700	835	1126	100	630	520	260	-	235	-	730	6 x 30	32.1	44	55	44
450	750	901	1226	100	680	575	285	-	255	-	810	6 x 30	32.1	44	55	50
500	925	1055	1444	110	834	660	328	-	82	495	902	8 x 30	32.1	50	55	50
600	1000	1195	1615	125	900	760	386	-	103	585	1080	8 x 30	32.1	50	55	60
700	1120	1365	1845	130	1020	870	440	-	115	670	1230	8 x 32	41.1	55	74	64
800	1230	1530	2045	170	1130	970	490	23	445	913	1380	10 x 35	41.1	60	74	66
900	1370	1747	2345	190	1265	1070	555	50	525	1100	1605	10 x 40	41.1	60	74	75
1000	1455	1945	2615	200	1350	1160	600	75	587	1250	1775	10 x 40	46.1	65	80	83
1200	1700	2300	3060	240	1590	1330	720	20	680	1380	2080	10 x 45	46.1	70	80	86

Available models



Seat and stem in stainless steel AISI 304

DN	square aperture	Kg approx.	round aperture	Kg approx.
100	10780020	16	10780490	15
150	10780030	31	10780500	31
200	10780040	40	10780510	41
250	10780050	60	10780520	61
300	10780060	95	10780530	97
350	10780070	123	10780540	125
400	10780080	176	10780550	192
450	10780090	200	10780560	200
500	10780100	340	10780570	348
600	10780110	438	10780580	415
700	10780120	596	10780590	604
800	10780130	830	10780600	889
900	10780140	1350	10780610	1354
1000	10780150	1425	10780620	1490
1200	10780160	1990	10780630	2080

Seat and stem in stainless steel AISI 316L

DN	square aperture	Kg approx.	round aperture	Kg approx.
100	10782020	16	10782490	15
150	10782030	31	10782500	31
200	10782040	40	10782510	41
250	10782050	60	10782520	61
300	10782060	95	10782530	97
350	10782070	123	10782540	125
400	10782080	176	10782550	192
450	10782090	200	10782560	200
500	10782100	340	10782570	348
600	10782110	438	10782580	415
700	10782120	596	10782590	604
800	10782130	830	10782600	889
900	10782140	1350	10782610	1354
1000	10782150	1425	10782620	1490
1200	10782160	1990	10780630	2080



Fucoli Somepal
FUNDIÇÃO DE FERRO, S.A.

Visit our website at www.fucoli-somepal.pt

Head office: Estrada de Coselhas, 3000-125 Coimbra – Portugal | Tel.: (+351) 239 490100 | Fax: (+351) 239 490198

Branch office: Rua de Aveiro 50, 3050-420 Pampilhosa – Portugal | Tel.: (+351) 239 490100 | Fax: (+351) 231 949292 | comercial@fucoli-somepal.pt

