

FLANGED SOFT SEALING GATE VALVE S15 3000

DN 40 - 300 PN10/16

16.201



Product description

- Flanged soft sealing gate valve series 3000 with gas sealed
- Service temperature from - 20°C to 60°C

Standards

- Designed according to EN 13774
- Flange drilling to EN 1092-2 PN10/16
- Face-to-face according to EN 558 series 15

Tests

All valves are individually hydrostatically tested according to EN 13774 and EN 12266:

- Seal 1.1 x PN (in bar); Body: 1.5 x PN (in bar). Operation torque test

Corrosion protection

- Epoxy powder coating RAL 5005
- Applied internal and external with a minimum coating thickness of 250 µm
- Fusion bonded epoxy coating according DIN 3476-1, EN 14901 and GSK approved

Approvals

- KIWA Certificate PED 00044/H
- GSK Epoxy Coating Certificate GSK-ID:1247 (RAL-GZ 662)

Features

- Isolation valve with gas sealed
- Full bore
- Low operating torque
- The valves from DN 250 to DN 300 are equipped with an axial bearing to ensure reduced operating torque
- Stainless steel stem with rolled threads produced by cold rolling process, which keeps the steel structure and increase its mechanical resistance
- Stem sealing system with 4 O-rings in NBR
- O-ring stem sealing exchangeable under pressure
- Wedge fully vulcanized with NBR, gas approved
- Top of the wedge conceived with “soft stop” system, which acts as an end stop for the fully open valve
- Wedge with brass nut fixed in the wedge core preventing vibration and ensure a long life span
- Wedge and body designed with “monorail” system
- Round NBR bonnet gasket fixed in a recess, surrounding the bolts, ensuring a perfect seal
- Body/bonnet bolts in stainless steel A2 encased and sealed ensuring full corrosion protection
- Accessories: handwheel [ref.05.100], stem cap [ref. 05.200], extension spindle [ref. 05.300] and surface box [ref. 05.500].



100% MADE IN EUROPE



Fucoli Somepal
FUNDAÇÃO DE FERRO, S. A.

Visit our website at www.fucoli-somepal.pt

Head office: Estrada de Coselhas, 3000-125 Coimbra – Portugal | Tel.: (+351) 239 490100 | Fax: (+351) 239 490198

Branch office: Rua de Aveiro 50, 3050-420 Pampilhosa – Portugal | Tel.: (+351) 239 490100 | Fax: (+351) 231 949292 | comercial@fucoli-somepal.pt

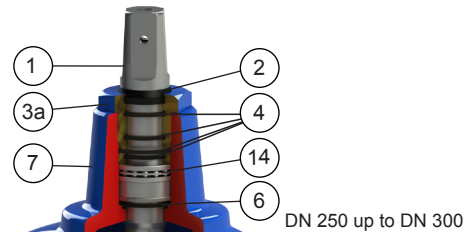
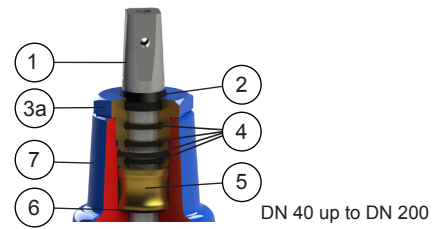
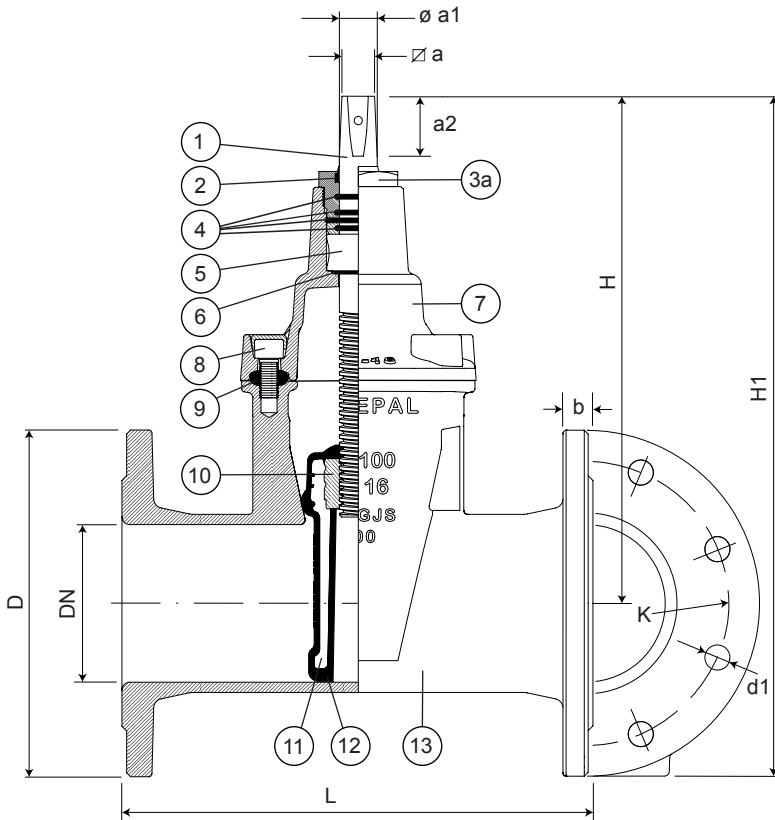
Ed.8 Rev. 1
05-2021

Being one of the main objectives of our company the development and satisfaction of our customers, we reserve the right to update, change or replace the specifications presented without prior notice.

FLANGED SOFT SEALING GATE VALVE S15 3000

DN 40 - 300 PN10/16

16.201



Component list

pos.	components	material	standard
1	Stem	Stainless steel AISI 316L	EN 10088 - 1
2	Clearing joint	Elastomer	-
3a	Gland	Brass	EN 12164
4	O-rings	Elastomer NBR	EN 682
5	Stem washer	Brass	EN 12164
6	O-ring	Elastomer NBR	EN 682
7	Bonnet	Ductile iron EN-GJS-500-7	EN 1563
8	Bolts	Stainless steel A2	EN 10088 - 1

pos.	components	material	standard
9	Bonnet gasket	Elastomer NBR	EN 549
10	Wedge nut	Brass	EN 12164
11	Wedge	Ductile iron EN-GJS-500-7	EN 1563
12	Wedge covering	Elastomer NBR	EN 549
13	Body	Ductile iron EN-GJS-500-7	EN 1563
14	Bearing	Steel	ISO 20516
15	Gland bush	POM	-

Reference and dimensions

DN	PN	code	D	L	H	H1	K	n° x d1	b	$\varnothing a$	$\varnothing a1$	a2	turns to open	Kg approx.
			mm	mm	mm	mm	mm	mm	mm	mm	mm	mm		
40	10/16	10753200	150	240	203	278	110	4 x 19	19	14.1	20	29	10	8
50	10/16	10753205	165	250	235	318	125	4 x 19	19	14.1	20	29	13	11
60	10/16	10753210	175	270	250	338	135	4 x 19	19	17.1	22	34	13	13
65	10/16	10753215	185	270	250	343	145	4 x 19	19	17.1	22	34	13	13
80	10/16	10753220	200	280	290	390	160	8 x 19	19	17.1	22	34	16	17
100	10/16	10753225	220	300	325	435	180	8 x 19	19	19.1	24	38	20	21
125	10/16	10753230	250	325	362	487	210	8 x 19	19	19.1	26	38	25	26
150	10/16	10753235	285	350	425	568	240	8 x 23	19	19.1	28	38	30	38
200	10	10753240	340	400	505	675	295	8 x 23	20	24.1	32	42	34	54
200	16	10753245	340	400	505	675	295	12 x 23	20	24.1	32	42	34	54
250	10	10753250	400	450	595	795	350	12 x 23	22	27.1	36	47	42	80
250	16	10753253	400	450	595	795	355	12 x 28	22	27.1	36	47	42	80
300	10	10753260	455	500	670	898	400	12 x 23	24.5	27.1	36	47	50	132
300	16	10753265	455	500	670	898	410	12 x 28	24.5	27.1	36	47	50	132



Fucoli Somepal
FUNDAÇÃO DE FERRO, S.N.

Visit our website at www.fucoli-somepal.pt

Head office: Estrada de Coselhas, 3000-125 Coimbra – Portugal | Tel.: (+351) 239 490100 | Fax: (+351) 239 490198

Branch office: Rua de Aveiro 50, 3050-420 Pampilhosa – Portugal | Tel.: (+351) 239 490100 | Fax: (+351) 231 949292 | comercial@fucoli-somepal.pt



100% MADE IN EUROPE