

“S” HEIGHT ADJUSTMENT BEND FLANGED DN 80 - 150 PN10/16

10.1400



Product description

- “S” height adjustment bend flanged for drinking water and neutral liquids

Standards

- Designed according to EN 545
- Flange drilling to EN 1092-2 PN10/16

Corrosion protection

- Epoxy powder coating RAL 5005
- Applied internal and external with a minimum coating thickness of 250 µm
- Potable water approved epoxy coating fusion bonded according to EN 14901 and GSK (RAL-GZ662) guidelines

Approvals

- ACS Potability Certificate 22 ACC NY 023

Features

- Fitting approved for drinking water
- Body and flange in ductile cast iron EN-GJS-500-7
- Fast and easy to install
- Allows fire hydrants, valves or pipes to be mounted and deviated or compensated in a range of ± 0.5 m and between 0° to 360° about the principal pipe, so assuring the equipment is correctly installed
- On request possibility of PN25.



Fucoli Somepal
FUNDAÇÃO DE FERRO, S. A.

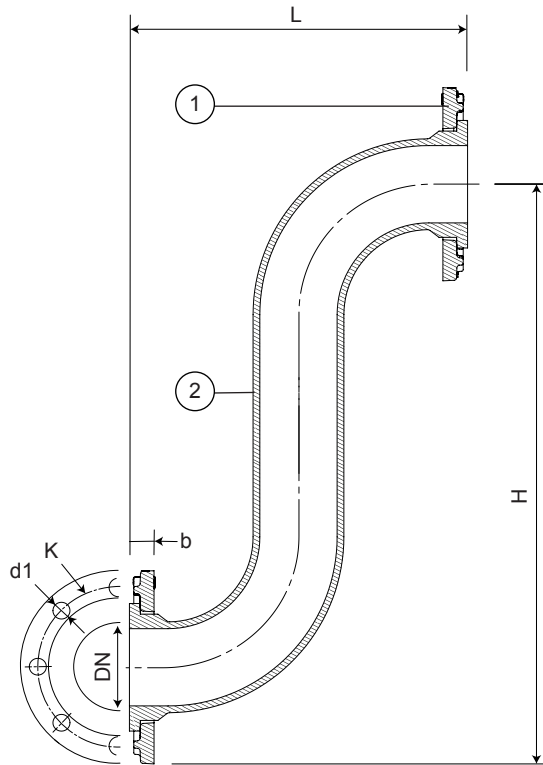
Visit our website at www.fucoli-somepal.pt

Head office: Estrada de Coselhas, 3000-125 Coimbra – Portugal | Tel.: (+351) 239 490100 | Fax: (+351) 239 490198

Branch office: Rua de Aveiro 50, 3050-420 Pampilhosa – Portugal | Tel.: (+351) 239 490100 | Fax: (+351) 231 949292 | comercial@fucoli-somepal.pt

"S" HEIGHT ADJUSTMENT BEND FLANGED DN 80 - 150 PN10/16

10.1400



Component list

pos.	components	material	standard
1	Flange	Ductile iron EN-GJS-500-7	EN 1563
2	Body	Ductile iron EN-GJS-500-7	EN 1563

Reference and dimensions

DN	PN	code	L mm	H mm	K mm	n° x d1 mm	b mm	Kg approx.
80	10/16	10005059	350	500	160	8 x 19	21	16
100	10/16	10005060	350	500	180	8 x 19	21	19
150	10/16	10005065	350	500	240	8 x 23	21	30



Fucoli Somepal
FUNDIÇÃO DE FERRO, S.A.

Visit our website at www.fucoli-somepal.pt

Head office: Estrada de Coselhas, 3000-125 Coimbra – Portugal | Tel.: (+351) 239 490100 | Fax: (+351) 239 490198

Branch office: Rua de Aveiro 50, 3050-420 Pampilhosa – Portugal | Tel.: (+351) 239 490100 | Fax: (+351) 231 949292 | comercial@fucoli-somepal.pt

