

## DOUBLE SOCKET CONNECTION FOR PE

10.6300

### Fitting for PE pipe 25 - 63 PN16



#### Product description

- Double socket connection with tensile resistant socket joints for PE pipes for drinking water and neutral liquids
- Service temperature from 0°C (excluding frost) to 70°C

#### Standards

- Socket for PE pipes PE 80 and PE 100 according EN 12201 and DIN 8074

#### Corrosion protection

- Epoxy powder coating RAL 5005
- Applied internal and external with a minimum coating thickness of 250 µm
- Potable water approved epoxy coating, fusion bonded according EN 14901 and GSK (RAL-GZ662) guidelines

#### Features

- Fitting for drinking water
- Body in ductile cast iron (EN-GJS-500-7)
- Sockets with EPDM double lip seal ring and POM tension ring ensuring a perfect sealing and PE pipe restraint
- Fitting to assemble PE pipes connection
- On request possibility of sealing in NBR.



100% MADE IN EUROPE



**Fucoli Somepal**  
FUNDAÇÃO DE FERRO, S. A.

Visit our website at [www.fucoli-somepal.pt](http://www.fucoli-somepal.pt)

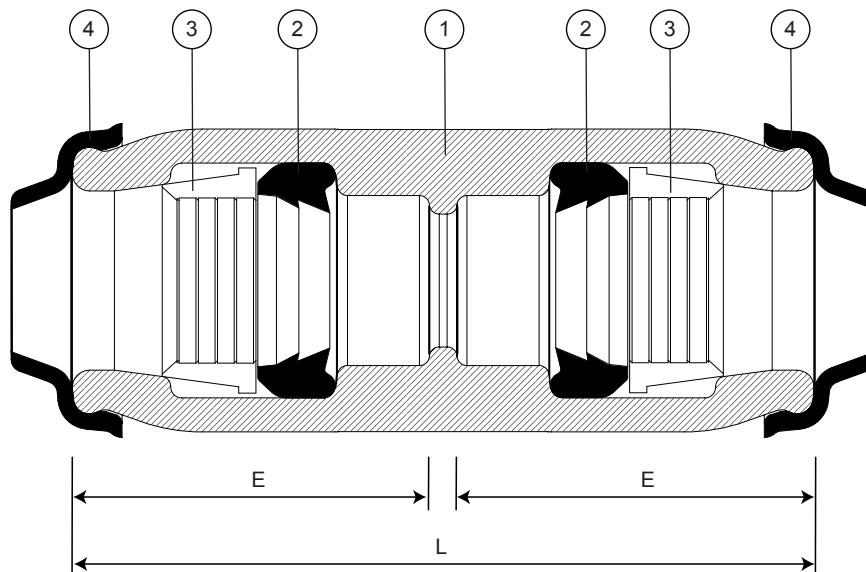
**Head office:** Estrada de Coselhas, 3000-125 Coimbra – Portugal | Tel.: (+351) 239 490100 | Fax: (+351) 239 490198

**Branch office:** Rua de Aveiro 50, 3050-420 Pampilhosa – Portugal | Tel.: (+351) 239 490100 | Fax: (+351) 231 949292 | [comercial@fucoli-somepal.pt](mailto:comercial@fucoli-somepal.pt)

# DOUBLE SOCKET CONNECTION FOR PE

Fitting for PE pipe  
25 - 63 PN16

10.6300



## Component list

pos.	components	material	standard
1	Body	Ductile iron EN-GJS-500-7	EN 1563
2	Lip seal ring	Elastomer EPDM	EN 681 - 1
3	Tension ring	POM	EN 10088 - 1
4	Protection cap	Elastomer EPDM	EN 681 - 1

## Reference and dimensions

$\emptyset$ ext. PE	código	L mm	E mm	Kg aprox.
25 / 25	10480400	120	58	1
32 / 32	10480405	140	68	2
40 / 40	10480410	158	77	3
50 / 50	10480415	200	96	3
63 / 63	10480420	228	110	4



**Fucoli Somepal**  
FUNDAÇÃO DE FERRO, S.A.

Visit our website at [www.fucoli-somepal.pt](http://www.fucoli-somepal.pt)

Head office: Estrada de Coselhas, 3000-125 Coimbra – Portugal | Tel.: (+351) 239 490100 | Fax: (+351) 239 490198

Branch office: Rua de Aveiro 50, 3050-420 Pampilhosa – Portugal | Tel.: (+351) 239 490100 | Fax: (+351) 231 949292 | [comercial@fucoli-somepal.pt](mailto:comercial@fucoli-somepal.pt)



100% MADE IN EUROPE