

# BLIND FLANGE DN 40 - 1000 PN10/16/25

09.400



## Product description

- Blind flange for drinking water and neutral liquids
- Service temperature from 0°C (excluding frost) to 70°C

## Standards

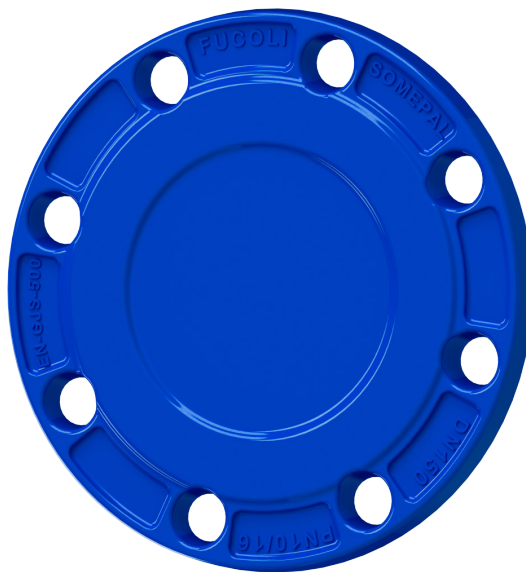
- Designed according to EN 545
- Flange drilling to EN 1092-2 (ISO 7005-2) PN 10/16/25

## Corrosion protection

- Epoxy powder coating RAL 5005
- Applied internal and external with a minimum coating thickness of 250 µm
- Potable water approved epoxy coating fusion bonded according to EN 14901 and GSK (RAL-GZ662) guidelines

## Features

- Blind flange for drinking water
- Body in ductile cast iron (EN-GJS-500-7)
- Simple and fast installation
- Accessories: kit flange in steel zinc plated [ref. 15.500] or kit flange in stainless steel [ref. 15.510].



**Fucoli Somepal**  
FUNDAÇÃO DE FERRO, S. A.

Visit our website at [www.fucoli-somepal.pt](http://www.fucoli-somepal.pt)

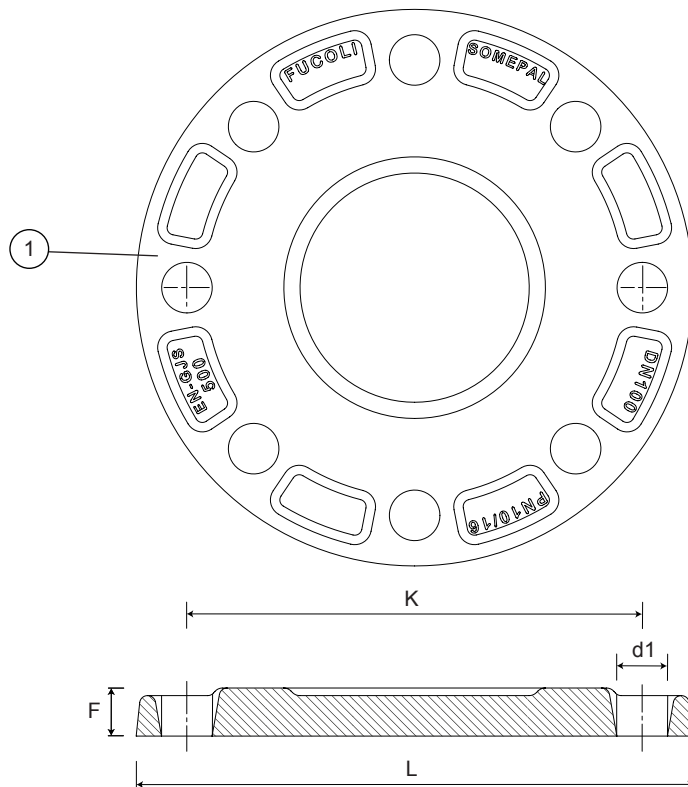
**Head office:** Estrada de Coselhas, 3000-125 Coimbra – Portugal | Tel.: (+351) 239 490100 | Fax: (+351) 239 490198

**Branch office:** Rua de Aveiro 50, 3050-420 Pampilhosa – Portugal | Tel.: (+351) 239 490100 | Fax: (+351) 231 949292 | [comercial@fucoli-somepal.pt](mailto:comercial@fucoli-somepal.pt)

# BLIND FLANGE

## DN 40 - 1000 PN10/16/25

09.400



### Component list

pos.	components	material	standard
1	Flange	Ductile iron EN-GJS-500-7	EN 1563

### Reference and dimensions

DN	PN	code	L mm	F mm	K mm	n° x d1 mm	Kg approx.
40	10/16/25	10122001	150	19	110	4 x 19	3
50	10/16/25	10122031	165	19	125	4 x 19	3
60/65	10/16	10122014	175/185	19	135/145	4 x 19	4
60/65	25	10124120	175/185	19	135/145	8 x 19	4
80	10/16	10122018	200	19	160	8 x 19	4
80	25	10124124	200	19	160	8 x 19	4
100	10/16	10122013	220	19	180	8 x 19	5
100	25	10124128	235	19	190	8 x 23	5
125	10/16	10122314	250	19	210	8 x 19	6
125	25	10124140	270	19	220	8 x 28	8
150	10/16	10122012	285	19	240	8 x 23	7
150	25	10124145	300	20	250	8 x 28	8
200	10/16	10124151	340	20	295	8-12 x 23	11
200	25	10124150	360	22	310	12 x 28	15
250	10/16	10124161	400	22	350/355	12 x 23/28	16
250	25	10124160	425	24.5	370	12 x 31	23
300	10/16	10124169	455	24.5	400/410	12 x 23/28	23
300	25	10124170	485	27.5	430	16 x 31	-
350	10	10122082	505	24.5	460	16 x 23	33
350	16	10122085	520	26.5	470	16 x 28	34
350	25	10124174	555	30	490	16 x 34	42
400	10	10122101	565	24.5	515	16 x 28	38

continued on next page

# BLIND FLANGE

## DN 40 - 1000 PN10/16/25

09.400



continued from previous page

DN	PN	code	L mm	F mm	K mm	n° x d1 mm	Kg approx.
400	16	10122102	580	28	525	16 x 31	40
400	25	10124176	620	32	550	16 x 37	58
450	10	10122103	615	25.5	565	20 x 28	46
450	16	10122104	640	30	585	20 x 31	48
450	25	10124180	670	34.5	600	20 x 37	-
500	10	10122108	670	26.5	620	20 x 28	81
500	16	10124110	715	31.5	650	20 x 34	-
500	25	10124109	730	36.5	660	20 x 37	190
600	10	10122109	780	30	725	20 x 31	90
600	16	10122110	840	36	770	20 x 37	100
600	25	10124182	845	42	770	20 x 41	200
700	10	10122112	895	32.5	840	24 x 31	132
700	16	10122113	910	39.5	840	24 x 37	150
700	25	10124184	960	46.5	875	24 x 44	-
800	10	10122114	1015	35	950	24 x 34	191
800	16	10122115	1025	43	950	24 x 41	195
800	25	10124186	1085	51	990	24 x 50	240
900	10	10122116	1115	37.5	1050	28 x 34	220
900	16	10122117	1125	46.5	1050	28 x 41	-
900	25	10124188	1185	55.5	1090	28 x 50	-
1000	10	10122118	1230	40	1160	28 x 37	290
1000	16	10122119	1255	50	1170	28 x 44	400
1000	25	10124190	1320	60	1210	28 x 57	-



**Fucoli Somepal**  
FUNDAÇÃO DE FERRO, S. A.

Visit our website at [www.fucoli-somepal.pt](http://www.fucoli-somepal.pt)

**Head office:** Estrada de Coselhas, 3000-125 Coimbra – Portugal | Tel.: (+351) 239 490100 | Fax: (+351) 239 490198

**Branch office:** Rua de Aveiro 50, 3050-420 Pampilhosa – Portugal | Tel.: (+351) 239 490100 | Fax: (+351) 231 949292 | [comercial@fucoli-somepal.pt](mailto:comercial@fucoli-somepal.pt)

