

RECESSED RECTANGULAR MANHOLE COVER SERIES UF B125

12.502



Product description

- Recessed rectangular manhole cover series UF
- Water based black painting

Installation location

- Class B125 - Footways, pedestrian areas and comparable areas, car parks or car parking decks

Standards

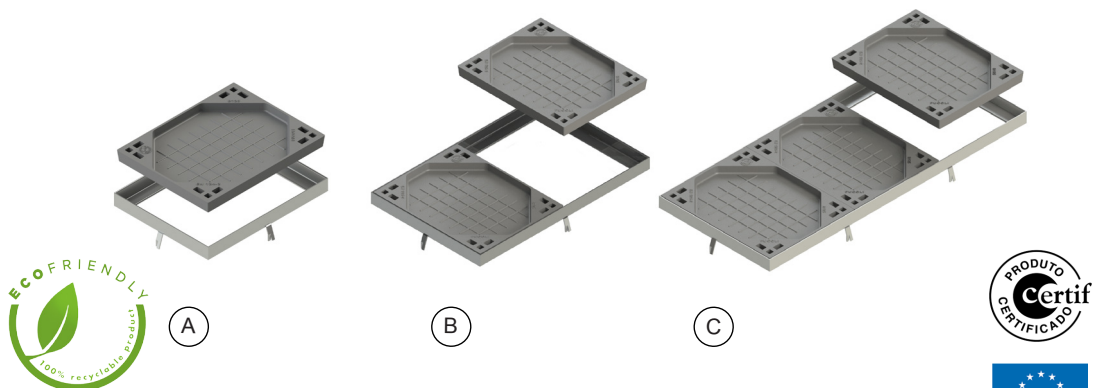
- Designed according to EN 124-1/2

Certifications

- Certificate Certif DDA - 001/2021

Features

- Model used in telecommunications networks and in situations where wide and easy access to the manhole is required
- Ductile cast iron cover (EN-GJS-500-7) with water based black painting and steel zinc frame
- Cover with four lifting points for easy operation/handling
- Cover with four elastic supports in NBR which ensures the perfect seating of the cover on the frame and avoiding the noise
- Frame with stone-bolt for fixing
- Allow a block paving infill, in this way dissimulate the manhole cover presence fitting it with the involving space
- Characterized for its great dimensions and the modularity, in such a way that the same cover can be used in three distinct frames
- Available in 3 models:
 - A. UF Simple model consisting of 1 cover + frame
 - B. UF Double model consisting of 2 covers + frame
 - C. UF Triple model consisting of 3 covers + frame
- On request hot dip galvanized frame.



(A)

(B)

(C)



Fucoli Somepal
FUNDAÇÃO DE FERRO, S.A.

Visit our website at www.fucoli-somepal.pt

Head office: Estrada de Coselhas, 3000-125 Coimbra – Portugal | Tel.: (+351) 239 490100 | Fax: (+351) 239 490198

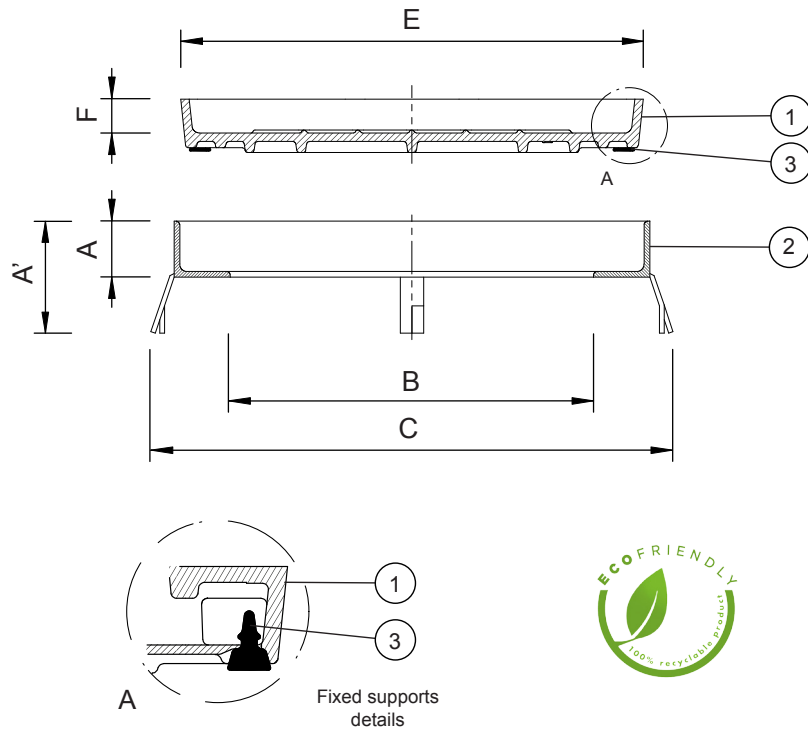
Branch office: Rua de Aveiro 50, 3050-420 Pampilhosa – Portugal | Tel.: (+351) 239 490100 | Fax: (+351) 231 949292 | comercial@fucoli-somepal.pt

RECESSED RECTANGULAR MANHOLE COVER SERIES UF B125

12.502



Tree models available



Component list

pos.	components	material	standard
1	Cover	Ductile iron EN-GJS-500-7	EN 1563
2	Frame	Steel zinc	-
3	Fixed supports	Elastomer NBR	EN 549

Reference and dimensions

Model - Class	code	Frame				Cover		Weight	
		height mm	height with stone-bolt mm	clear opening mm	external mm	external mm	recessed height mm	Cover kg	Total kg
		A	A'	B	C	E	F	approx.	approx.
□ Recessed UF Simple - B125	24D3CM2VNEAZZZZ00AG	60	110	527 x 389	647 x 509	633 x 495	42	32	43
□□ Recessed UF Double - B125	24D3DV2VNEAZZZZ00AG	60	110	884 x 527	1004 x 647	(2) 633 x 495	42	(2) 32	81
□□□ Recessed UF Triple - B125	24D3FT2VNEAZZZZ00AG	60	110	1380 x 647	1500 x 647	(3) 633 x 495	42	(3) 32	119
□ Frame UF Simple - B125	20429012	60	110	527 x 389	647 x 509	-	42	-	11
□□ Frame UF Double - B125	20429022	60	110	884 x 527	1004 x 647	-	42	-	17
□□□ Frame UF Triple - B125	20429032	60	110	1380 x 647	1500 x 647	-	42	-	23
□ Recessed cover UF - B125	24Q3CM4VNAAZZZZ00AA	60	110	-	-	633 x 495	42	32	32



Fucoli Somepal
FUNDIÇÃO DE FERRO, S.A.

Visit our website at www.fucoli-somepal.pt

Head office: Estrada de Coselhas, 3000-125 Coimbra – Portugal | Tel.: (+351) 239 490100 | Fax: (+351) 239 490198

Branch office: Rua de Aveiro 50, 3050-420 Pampilhosa – Portugal | Tel.: (+351) 239 490100 | Fax: (+351) 231 949292 | comercial@fucoli-somepal.pt

