

MULTIMATERIALS COUPLING

DN 40 - 1200 PN16

08.300



Product description

- Multimaterial coupling for drinking water and neutral liquids
- Service temperature from 0°C (excluding frost) to 70°C

Standards

- Designed according to EN 14525

Test according

- EN 14525: Positive internal pressure and negative internal

Corrosion protection

- Epoxy powder coating RAL 5005
- Applied internal and external with a minimum coating thickness of 250 µm
- Potable water approved epoxy coating, fusion bonded according EN 14901 and GSK approved

Approvals

- ACS Potability Certificate 23 ACC NY 127
- GSK Epoxy Coating Certificate GSK-ID:1247 (RAL-GZ 662)

Features

- Multimaterials coupling for drinking water
- EPDM sealing gaskets drinking water approved, with incorporated O-rings, which ensures an extremely effective seal and absorb minor imperfections in the pipe
- Tolerance range from 30 to 40 mm that allows great versatility of the product and assembly of pipes with different materials and diameters
- Allow a maximum deflection angle of 6°
- Bolts in steel cl. 8.8, geomet coated
- Allow the connection between pipe of ductile iron, steel, uPVC, asbestos cement, glass fibre, among other
- On request possibility of NBR sealing and/or bolts, washers and nuts in stainless steel A2 or A4.



Fucoli Somepal
FUNDAÇÃO DE FERRO, S. A.

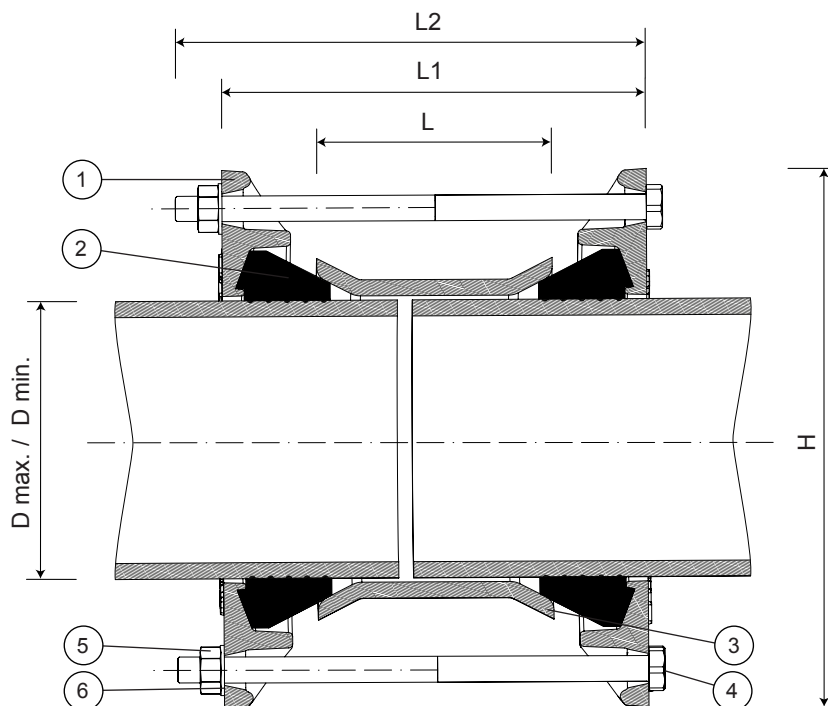
Visit our website at www.fucoli-somepal.pt

Head office: Estrada de Coselhas, 3000-125 Coimbra – Portugal | Tel.: (+351) 239 490100 | Fax: (+351) 239 490198

Branch office: Rua de Aveiro 50, 3050-420 Pampilhosa – Portugal | Tel.: (+351) 239 490100 | Fax: (+351) 231 949292 | comercial@fucoli-somepal.pt

MULTIMATERIALS COUPLING DN 40 - 1200 PN16

08.300



Component list

pos.	components	material	standard	pos.	components	material	standard
1	Locking ring	Ductile iron EN-GJS-500-7	EN 1563	4	Bolts	Steel cl 8.8 (geomet coating)	ISO 898-1
2	Sealing	Elastomer EPDM	EN 681 - 1	5	Nuts	Steel cl 8 (geomet coating)	ISO 898-2
3	Body	Ductile iron EN-GJS-500-7	EN 1563	6	Washers	Steel (geomet coating)	ISO 898-2

Reference and dimensions

DN	D	code	L	L1	H	Kg	Bolt	L2	Torque
mm	min./max. mm - mm		mm	mm	mm	approx.		mm	
40	25 - 55	10900000	110	198	151	5	3 x M12	220	60 - 80 Nm
40 / 50	39 - 69	10900010	110	198	165	6	3 x M12	220	60 - 80 Nm
40 / 50	46 - 76	10900020	110	200	172	6	3 x M12	220	60 - 80 Nm
40 / 50	48 - 78	10900021	110	202	174	7	3 x M12	220	60 - 80 Nm
60 / 65	57 - 87	10900030	110	197	214	7	4 x M12	220	60 - 80 Nm
60 / 65	63 - 93	10900031	110	201	220	8	4 x M12	220	60 - 80 Nm
80	78 - 108	10900040	110	197	235	8	4 x M12	220	60 - 80 Nm
80 / 100	87 - 117	10900050	110	200	244	9	4 x M12	220	60 - 80 Nm
100	100 - 130	10900055	110	198	253	10	4 x M12	250	60 - 80 Nm
100	108 - 138	10900056	110	170	261	10	4 x M12	250	60 - 80 Nm
125	117 - 147	10900060	120	208	270	11	4 x M12	250	60 - 80 Nm
125 / 150	129 - 159	10900070	120	208	282	12	4 x M12	250	60 - 80 Nm
150	138 - 168	10900080	120	208	291	13	4 x M12	250	60 - 80 Nm
150	152 - 182	10900090	120	208	315	14	4 x M16	250	100 - 140 Nm
150	159 - 189	10900091	120	180	322	15	4 x M16	250	100 - 140 Nm
175	172 - 202	10900095	120	208	335	15	4 x M16	250	100 - 140 Nm
175 / 200	186 - 216	10900100	120	208	349	16	4 x M16	250	100 - 140 Nm
200	198 - 228	10900110	120	208	361	17	4 x M16	250	100 - 140 Nm
225	218 - 253	10900120	130	197	402	23	4 x M16	280	100 - 140 Nm
250	245 - 280	10900130	130	235	429	24	4 x M16	280	100 - 140 Nm

continued on next page

MULTIMATERIALS COUPLING

DN 40 - 1200 PN16

08.300



continued from previous page


DN mm	D min./max. mm - mm	code	L mm	L1 mm	H mm	Kg approx.	Bolt	L2 mm		Torque
250	266 - 301	10900140	150	300	450	30	6 x M16	300	24 mm	100 - 140 Nm
300	297 - 332	10900143	150	260	481	32	6 x M16	300	24 mm	100 - 140 Nm
300	314 - 349	10900150	150	220	498	34	6 x M16	300	24 mm	100 - 140 Nm
350	343 - 378	10900151	150	263	527	35	6 x M16	300	24 mm	100 - 140 Nm
350	375 - 410	10900152	150	266	533	43	8 x M16	300	24 mm	100 - 140 Nm
400	396 - 431	10900153	200	316	591	52	8 x M16	360	24 mm	100 - 140 Nm
400	420 - 455	10900154	200	286	615	56	8 x M16	360	24 mm	100 - 140 Nm
450	449 - 484	10900163	200	328	650	65	10 x M16	360	24 mm	100 - 140 Nm
450	457 - 492	10900155	200	328	652	66	10 x M16	360	24 mm	100 - 140 Nm
450	497 - 532	10900156	200	328	692	70	10 x M16	360	24 mm	100 - 140 Nm
500	501 - 540	10900165	200	368	694	72	10 x M16	360	24 mm	100 - 140 Nm
550	525 - 560	10900149	200	286	720	74	10 x M16	360	24 mm	100 - 140 Nm
550	533 - 568	10900157	200	328	728	75	10 x M16	360	24 mm	100 - 140 Nm
600	575 - 610	10900158	200	328	770	80	10 x M16	360	24 mm	100 - 140 Nm
600	625 - 660	10900159	200	286	820	89	10 x M16	360	24 mm	100 - 140 Nm
650	660 - 695	10900160	200	338	839	102	10 x M16	360	24 mm	100 - 140 Nm
700	710 - 745	10900166	200	367	931	133	12 x M16	410	24 mm	100 - 140 Nm
700	724 - 765	10900168	200	367	955	147	12 x M16	410	24 mm	100 - 140 Nm
800	810 - 845	10900173	200	372	1031	156	12 x M16	410	24 mm	100 - 140 Nm
850	829 - 870	10900175	200	367	1060	166	12 x M16	410	24 mm	100 - 140 Nm
900	905 - 946	10900178	250	423	1157	228	14 x M20	485	30 mm	160 - 200 Nm
900	934 - 975	10900183	250	421	1184	234	14 x M20	485	30 mm	160 - 200 Nm
1000	1034 - 1075	10900189	250	421	1241	257	14 x M20	485	30 mm	160 - 200 Nm
1200	1219 - 1260	10900191	250	421	1469	315	16 x M20	485	30 mm	160 - 200 Nm

Table of tolerances and pipes on next page



Fucoli Somepal
FUNDIÇÃO DE FERRO, S. A.

Visit our website at www.fucoli-somepal.pt

Head office: Estrada de Coselhas, 3000-125 Coimbra – Portugal | Tel.: (+351) 239 490100 | Fax: (+351) 239 490198

Branch office: Rua de Aveiro 50, 3050-420 Pampilhosa – Portugal | Tel.: (+351) 239 490100 | Fax: (+351) 231 949292 | comercial@fucoli-somepal.pt



TABLE OF TOLERANCES AND PIPES



Tolerances	code	Pipes									
		PVC	Ductile iron		Steel		Asbestos cement				
D min. - max. mm - mm		ø ext. pipe mm	DN	ø ext. pipe mm	ø ext. pipe mm	DN	Class 6	Class 12	Class 18	Class 24	Class 30
25 - 55	10900000	25 32 50	-	-	42.4 48.3	-	-	-	-	-	-
39 - 69	10900010	50 63	40 50	56 66	42.4 48.3 60.3	50	66	66	66	66	66
46 - 76	10900020	63 75	40 50	56 66	48.3 60.3	50 60	66 76	66 76	66 76	66 76	66 -
48 - 78	10900021	63 75	40 50 60	56 66 77	48.3 60.3 76.1	50 60	66 76	66 76	66 76	66 76	66 78
57 - 87	10900030	63 75	50 60 65	66 77 82	60.3 76.1	50 60	66 76	66 76	66 76	66 76	66 78
63 - 93	10900031	63 75 90	50 60 65	66 77 82	76.1 88.9	50 60	66 76	66 76	66 76	66 76	66 78
78 - 108	10900040	90	65 80	82 98	88.9 101.6	60 80	- 96	- 96	- 96	- 98	78 104
87 - 117	10900050	90 110	80	98	88.9 101.6 114.3	80 100	96 116	96 116	96 -	98 -	104 -
100 - 130	10900055	110 125	100	118	101.6 114.3	80 100	- 116	- 116	- 118	- 122	104 128
108 - 138	10900056	110 125	100	118	114.3	100	116	116	118	122	128
117 - 147	10900060	125 140	100 125	118 144	139.7	100 125	- 141	- 141	118 145	122 -	128 -
129 - 159	10900070	140	125	144	139.7	125	141	141	145	151	157
138 - 168	10900080	140 160	125	144	139.7	125 150	141 168	141 168	145 -	151 -	157 -
152 - 182	10900090	160 180	150	170	168.3 177.8	125 150	- 168	- 168	- 174	- 180	157 -
159 - 189	10900091	160 180	150	170	168.3 177.8	150	168	168	174	180	188
172 - 202	10900095	180 200	-	-	177.8 193.7	150	-	-	174	180	188
186 - 216	10900100	200	-	-	193.7	150	-	-	-	-	188
198 - 228	10900110	200 225	200	222	219.1	200	220	222	228	-	-
218 - 253	10900120	225 250	200	222	219.1 244.5	200	220	222	228	238	250
245 - 280	10900130	250 280	250	274	273	200 250	- 272	- 276	- -	- -	250 -
266 - 301	10900140	280	250	274	273	250	272	276	282	294	-
297 - 332	10900143	315	300	326	323.9	250 300	- 324	- 330	- -	- -	306 -
314 - 349	10900150	315	300	326	323.9	300	324	330	338	-	-
343 - 378	10900151	355	350	378	355.6	300 350	- 376	- -	- -	352 -	366 -
375 - 410	10900152	400	350	378	406.4	350	376	384	396	410	-
396 - 431	10900153	400	400	429	406.4	350 400	- 428	- -	- -	- -	426 -
420 - 455	10900154	-	400	429	-	400	-	438	452	-	-
449 - 484	10900163	-	450	480	457.0	400 450	- 482	438	-	470	488
457 - 492	10900155	-	450	480	457.0	400 450	- 482	- 492	- -	470	488
497 - 532	10900156	500	500	532	508	450	-	-	512	532	-
501 - 540	10900165	-	500	532	508	500	536	-	-	-	-
525 - 560	10900149	560	500	532	559	450 500	- 536	- 548	- -	- -	548 -
533 - 568	10900157	560	-	-	559	500	536	548	568	-	-
575 - 610	10900158	-	-	-	610	500	-	-	-	590	608
625 - 660	10900159	630	600	635	660	600	644	660	-	-	-
660 - 695	10900160	-	-	-	660	600	-	-	674	694	-
710 - 745	10900166	710	700	738	711.0	600	-	-	-	-	714
724 - 765	10900168	-	700	738	762.0	700	754	-	-	-	-
810 - 845	10900173	-	800	842	813.0	700	-	-	-	-	828
829 - 870	10900175	-	800	842	864.0	800	852	-	-	-	-
905 - 946	10900178	-	900	945	-	800	-	-	-	-	946
934 - 975	10900183	-	900	945	-	800 900	- 960	- -	- -	- -	946 -
1034 - 1075	10900189	-	1000	1048	1067.0	900 1000	- -	- -	- -	1050 1066	- -
1219 - 1260	10900191	-	1200	1255	1219.0	-	-	-	-	-	-



Fucoli Somepal
FUNDAÇÃO DE FERRO, S.A.

Visit our website at www.fucoli-somepal.pt

Head office: Estrada de Coselhas, 3000-125 Coimbra – Portugal | Tel.: (+351) 239 490100 | Fax: (+351) 239 490198

Branch office: Rua de Aveiro 50, 3050-420 Pampilhosa – Portugal | Tel.: (+351) 239 490100 | Fax: (+351) 231 949292 | comercial@fucoli-somepal.pt



100% MADE IN EUROPE