

DISMANTLING JOINT

with stainless steel bolts

DN 40 - 1200 PN10/16/25

08.601



Product description

- Dismantling joint with stainless steel bolts for drinking water and neutral liquids
- Service temperature from 0°C (excluding frost) to 70°C

Standards

- Flange drilling to EN 1092-2 PN10/16/25

Tests

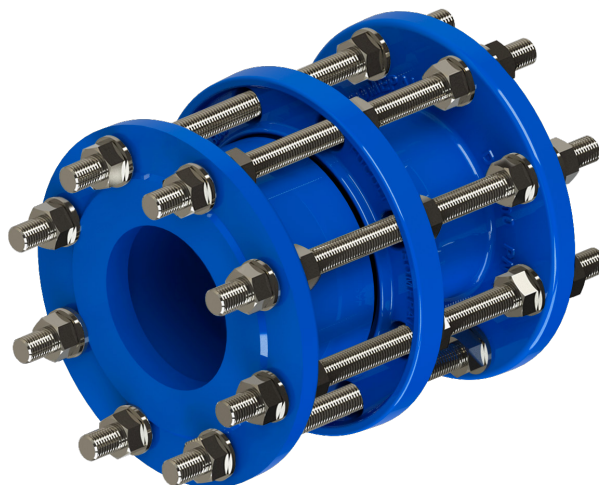
- Tested according to EN 12266-1

Corrosion protection

- Epoxy powder coating RAL 5005
- Applied internal and external with a minimum coating thickness of 250 µm
- Potable water approved epoxy coating fusion bonded according EN 14901 and GSK (RAL-GZ662) guidelines

Features

- Dismantling joint for drinking water
- Facilitates installation and disassembly of flanged pipework and fittings, or equipment with flanges, such as valves, meters and pumps
- Allows for 50mm axis/longitudinal adjustments across the entire range
- Appropriate for pipe force transmission
- It consists of two main flanged parts, which slide between them, and a loose flange that compresses the sealing
- EPDM sealing gaskets drinking water approved
- Equipped with continuous threaded bolts, no additional screws are required for joint assembly
- On request possibility of NBR sealing and/or bolts and washers in stainless steel A4.



100% MADE IN EUROPE



Fucoli Somepal
FUNDAÇÃO DE FERRO, S. A.

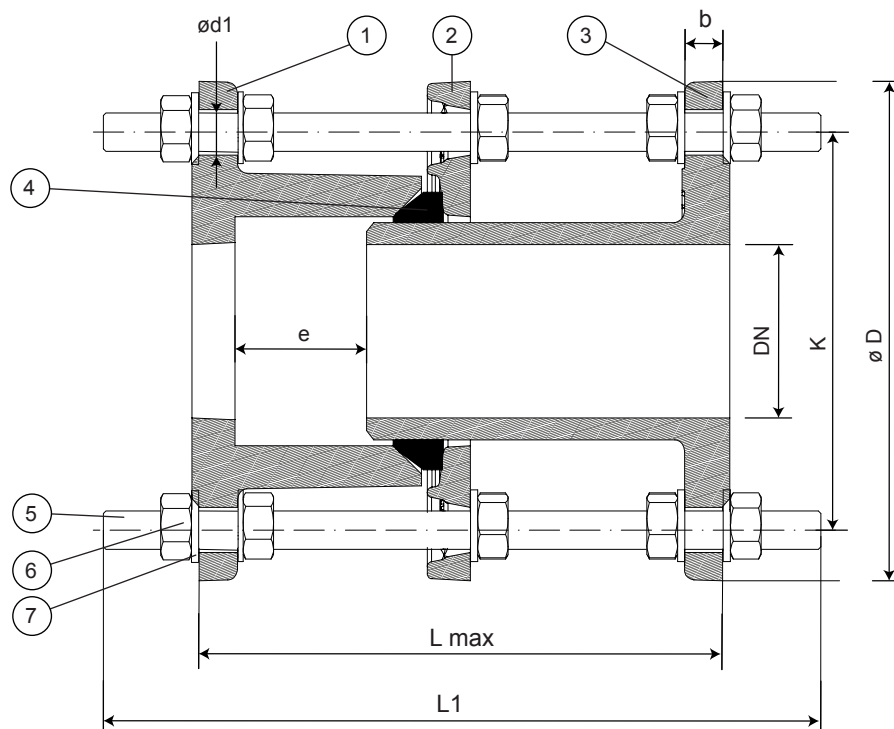
Visit our website at www.fucoli-somepal.pt

Head office: Estrada de Coselhas, 3000-125 Coimbra – Portugal | Tel.: (+351) 239 490100 | Fax: (+351) 239 490198

Branch office: Rua de Aveiro 50, 3050-420 Pampilhosa – Portugal | Tel.: (+351) 239 490100 | Fax: (+351) 231 949292 | comercial@fucoli-somepal.pt

DISMANTLING JOINT with stainless steel bolts DN 40 - 1200 PN10/16/25

08.601



Component list

pos.	components	material	norma	pos.	components	material	norma
1	External flange	Ductile iron EN-GJS-500-7	EN 1563	4	Sealing	Elastomer EPDM	EN 681 - 1
2	Loose flange	Ductile iron EN-GJS-500-7	EN 1563	5	Threaded bolts	Stainless steel A2	EN 10088-1
3	Inside flange	Ductile iron EN-GJS-500-7	EN 1563	6	Nuts	Stainless steel A4	EN 10088-1
				7	Washers	Stainless steel A2	EN 10088-1

Reference and dimensions

DN	PN	code	L max	e	$\varnothing D$	K	n° x d1	b	Kg	threaded bolts	L1
mm			mm	mm	mm	mm	mm	mm	approx.		mm
40	10/16	10101201	205	50	150	110	4 x 19	19	9	4 x M16	300
40	25	10101261	205	50	150	110	4 x 19	19	9	4 x M16	320
50	10/16	10101202	205	50	165	125	4 x 19	19	10	4 x M16	300
50	25	10101262	205	50	165	125	4 x 19	19	10	4 x M16	320
60	10/16	10101203	205	50	175	135	4 x 19	19	11	4 x M16	300
60	25	10101263	205	50	175	135	8 x 19	19	11	8 x M16	320
65	10/16	10101204	205	50	185	145	4 x 19	19	12	4 x M16	300
65	25	10101264	205	50	185	145	8 x 19	19	15	8 x M16	320
80	10/16	10101205	225	50	200	160	8 x 19	19	17	8 x M16	320
80	25	10101265	225	50	200	160	8 x 19	19	17	8 x M16	320
100	10/16	10101206	225	50	220	180	8 x 19	19	20	8 x M16	320
100	25	10101266	225	50	235	190	8 x 23	19	26	8 x M20	360
125	10/16	10101207	225	50	250	210	8 x 19	19	22	8 x M16	320
125	25	10101267	225	50	270	220	8 x 28	19	39	8 x M24	395
150	10/16	10101208	225	50	285	240	8 x 23	19	30	8 x M20	360
150	25	10101268	225	50	300	250	8 x 28	20	42	8 x M24	395
200	10	10101209	245	50	340	295	8 x 23	20	41	8 x M20	360
200	16	10101239	245	50	340	295	12 x 23	20	46	12 x M20	380
200	25	10101269	245	50	360	310	12 x 28	22	61	12 x M24	395

continued on next page

DISMANTLING JOINT
with stainless steel bolts
DN 40 - 1200 PN10/16/25

08.601



continued from previous page

DN	PN	code	L max	e	ø D	K	n° x d1	b	Kg	threaded bolts	L1
mm			mm	mm	mm	mm	mm	mm	approx.		mm
250	10	10101210	245	50	400	350	12 x 23	22	56	12 x M20	360
250	16	10101240	245	50	400	355	12 x 28	22	62	12 x M24	395
250	25	10101270	250	50	425	370	12 x 31	24.5	85	12 x M27	395
300	10	10101211	245	50	455	400	12 x 23	24.5	66	12 x M20	360
300	16	10101241	245	50	455	410	12 x 28	24.5	77	12 x M24	395
300	25	10101271	250	50	485	430	16 x 31	27.5	110	16 x M27	430
350	10	10101212	255	50	505	460	16 x 23	24.5	92	16 x M20	380
350	16	10101242	255	50	520	470	16 x 28	26.5	100	16 x M24	430
350	25	10101281	265	50	555	490	16 x 28	30	160	16 x M30	430
400	10	10101213	255	50	565	515	16 x 28	24.5	109	16 x M24	430
400	16	10101243	255	50	580	525	16 x 31	28	129	16 x M27	430
400	25	10101272	270	50	620	550	16 x 37	32	198	16 x M33	500
450	10	10101214	275	50	615	565	20 x 28	25.5	136	16 x M27	430
450	16	10101244	275	50	640	585	20 x 31	30	170	20 x M27	430
450	25	10101273	295	50	670	600	20 x 37	34.5	278	20 x M33	500
500	10	10101222	285	50	670	620	20 x 28	26.5	152	20 x M24	430
500	16	10101245	285	50	715	650	20 x 34	31.5	219	20 x M30	480
500	25	10101274	305	50	730	660	20 x 37	36.5	266	20 x M33	500
600	10	10101216	285	50	780	725	20 x 31	30	192	20 x M27	430
600	16	10101246	285	50	840	770	20 x 37	36	299	20 x M33	500
600	25	10101275	310	50	845	770	20 x 41	42	356	20 x M36	550
700	10	10101217	285	50	895	840	24 x 31	32.5	255	24 x M27	430
700	16	10101247	285	50	910	840	24 x 37	39.5	367	24 x M33	500
700	25	10101276	315	50	960	875	24 x 44	46.5	577	24 x M39	570
800	10	10101218	315	50	1015	950	24 x 34	35	340	24 x M30	480
800	16	10101248	315	50	1025	950	24 x 41	43	477	24 x M36	550
800	25	10101277	350	50	1085	990	24 x 50	51	692	24 x M45	610
900	10	10101219	350	50	1115	1050	28 x 34	37.5	427	28 x M30	480
900	16	10101249	350	50	1125	1050	28 x 41	46.5	547	28 x M36	550
900	25	10101278	385	50	1185	1090	28 x 50	55.5	888	28 x M45	640
1000	10	10101220	360	50	1230	1160	28 x 37	40	529	28 x M33	540
1000	16	10101250	360	50	1255	1170	28 x 44	50	732	28 x M39	600
1000	25	10101279	400	50	1320	1210	28 x 57	60	1196	28 x M52	680
1200	10	10101221	450	50	1455	1380	32 x 41	45	890	32 x M36	670
1200	16	10101251	450	50	1485	1390	32 x 50	57	1196	32 x M45	710



Fucoli Somepal
FUNDIÇÃO DE FERRO, S. A.

Visit our website at www.fucoli-somepal.pt

Head office: Estrada de Coselhas, 3000-125 Coimbra – Portugal | Tel.: (+351) 239 490100 | Fax: (+351) 239 490198

Branch office: Rua de Aveiro 50, 3050-420 Pampilhosa – Portugal | Tel.: (+351) 239 490100 | Fax: (+351) 231 949292 | comercial@fucoli-somepal.pt

