

DISMANTLING JOINT

with steel zinc plated bolts

DN 40 - 1200 PN10/16

11.5000



Product description

- Dismantling joint with steel zinc plated bolts for waste water
- Service temperature from 0°C (excluding frost) to 70°C

Standards

- Flange drilling to EN 1092-2 PN10/16

Tests

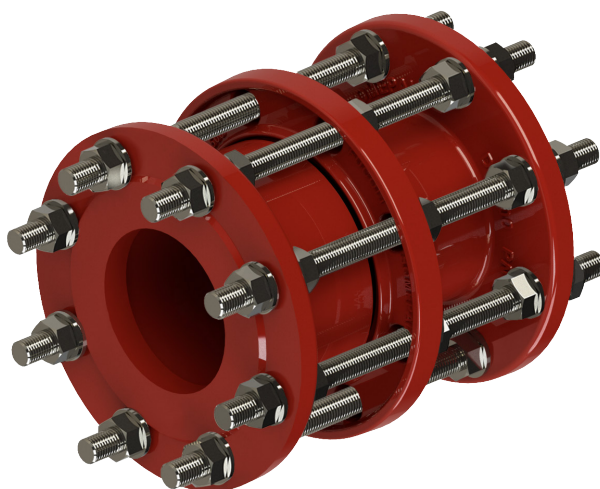
- Tested according to EN 12266-1

Corrosion protection

- Epoxy powder coating RAL 3011
- Applied internal and external with a minimum coating thickness of 250 µm
- Fusion bonded epoxy coating according EN 14901 and GSK (RAL-GZ662) guidelines

Features

- Dismantling joint for waste water
- Facilitates installation and disassembly of flanged pipework and fittings, or equipment with flanges, such as valves, meters and pumps
- Allows for 50mm axis/longitudinal adjustments across the entire range
- Appropriate for pipe force transmission
- It consists of two main flanged parts, which slide between them, and a loose flange that compresses the sealing
- NBR sealing gaskets
- Equipped with continuous threaded bolts, no additional screws are required for joint assembly.



Fucoli Somepal
FUNDAÇÃO DE FERRO, S.A.

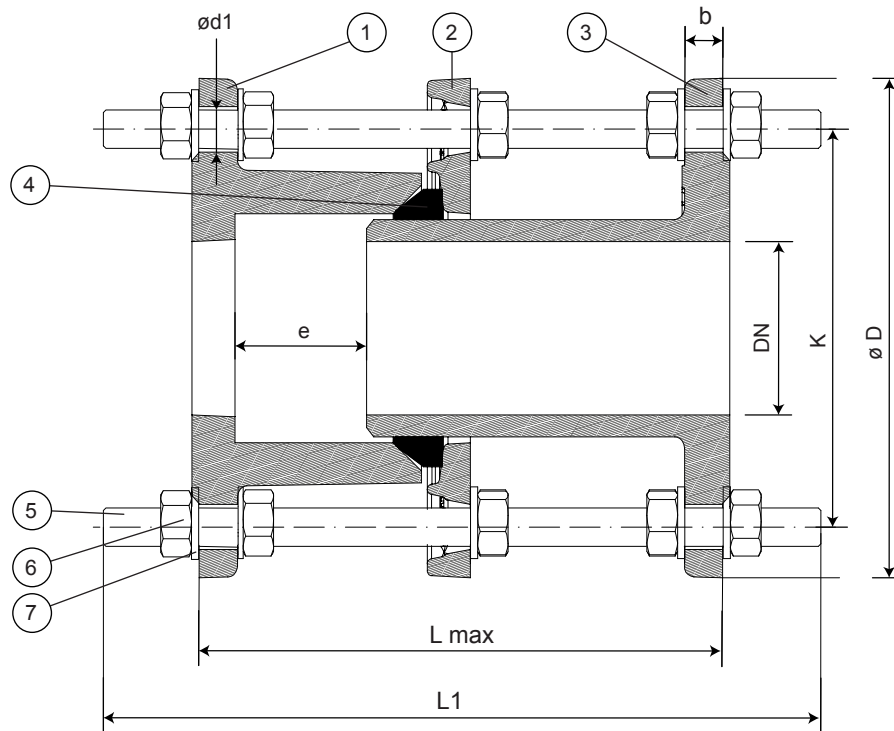
Visit our website at www.fucoli-somepal.pt

Head office: Estrada de Coselhas, 3000-125 Coimbra – Portugal | Tel.: (+351) 239 490100 | Fax: (+351) 239 490198

Branch office: Rua de Aveiro 50, 3050-420 Pampilhosa – Portugal | Tel.: (+351) 239 490100 | Fax: (+351) 231 949292 | comercial@fucoli-somepal.pt

DISMANTLING JOINT
with steel zinc plated bolts
DN 40 - 1200 PN10/16

11.5000



Component list

pos.	components	material	norma	pos.	components	material	norma
1	External flange	Ductile iron EN-GJS-500-7	EN 1563	4	Sealing	Elastomer NBR	EN 681 - 1
2	Loose flange	Ductile iron EN-GJS-500-7	EN 1563	5	Pernos roscados	Steel zinc plated cl 8.8	ISO 898-1
3	Inside flange	Ductile iron EN-GJS-500-7	EN 1563	6	Nuts	Steel zinc plated cl 8	ISO 898-2
				7	Washers	Steel zinc plated	ISO 898-2

Reference and dimensions

DN	PN	code	L max	e	$\varnothing D$	K	n° x d1	b	Kg	threaded bolts	L1
mm			mm	mm	mm	mm	mm	mm	approx.		mm
40	10/16	10181001	205	50	150	110	4 x 19	19	9	4 x M16	300
50	10/16	10181002	205	50	165	125	4 x 19	19	10	4 x M16	300
60	10/16	10181003	205	50	175	135	4 x 19	19	11	4 x M16	300
65	10/16	10181004	205	50	185	145	4 x 19	19	12	4 x M16	300
80	10/16	10181005	225	50	200	160	8 x 19	19	17	8 x M16	320
100	10/16	10181006	225	50	220	180	8 x 19	19	20	8 x M16	320
125	10/16	10181007	225	50	250	210	8 x 19	19	22	8 x M16	320
150	10/16	10181008	225	50	285	240	8 x 23	19	30	8 x M20	360
200	10	10181009	245	50	340	295	8 x 23	20	41	8 x M20	360
200	16	10181039	245	50	340	295	12 x 23	20	46	12 x M20	380
250	10	10181010	245	50	400	350	12 x 23	22	56	12 x M20	360
250	16	10181040	245	50	400	355	12 x 28	22	62	12 x M24	395
300	10	10181011	245	50	455	400	12 x 23	24.5	66	12 x M20	360
300	16	10181041	245	50	455	410	12 x 28	24.5	77	12 x M24	395
350	10	10181012	255	50	505	460	16 x 23	24.5	92	16 x M20	380
350	16	10181042	255	50	520	470	16 x 28	26.5	100	16 x M24	430
400	10	10181013	255	50	565	515	16 x 28	24.5	109	16 x M24	430
400	16	10181043	255	50	580	525	16 x 31	28	129	16 x M27	430
450	10	10181014	275	50	615	565	20 x 28	25.5	136	16 x M27	430

continued on next page

DISMANTLING JOINT
with steel zinc plated bolts
DN 40 - 1200 PN10/16

11.5000



continued from previous page

DN	PN	code	L max	e	ø D	K	n° x d1	b	Kg	threaded bolts	L1
mm			mm	mm	mm	mm	mm	mm	approx.		mm
450	16	10181044	275	50	640	585	20 x 31	30	170	20 x M27	430
500	10	10181015	285	50	670	620	20 x 28	26.5	152	20 x M24	430
500	16	10181045	285	50	715	650	20 x 34	31.5	219	20 x M30	480
600	10	10181323	285	50	780	725	20 x 31	30	192	20 x M27	430
600	16	10181046	285	50	840	770	20 x 37	36	299	20 x M33	500
700	10	10181016	285	50	895	840	24 x 31	32.5	255	24 x M27	430
700	16	10181047	285	50	910	840	24 x 37	39.5	367	24 x M33	500
800	10	10181017	315	50	1015	950	24 x 34	35	340	24 x M30	480
800	16	10181048	315	50	1025	950	24 x 41	43	477	24 x M36	550
900	10	10181018	350	50	1115	1050	28 x 34	37.5	427	28 x M30	480
900	16	10181049	350	50	1125	1050	28 x 41	46.5	547	28 x M36	550
1000	10	10181019	360	50	1230	1160	28 x 37	40	529	28 x M33	540
1000	16	10181050	360	50	1255	1170	28 x 44	50	732	28 x M39	600
1200	10	10181020	450	50	1455	1380	32 x 41	45	890	32 x M36	670
1200	16	10181051	450	50	1485	1390	32 x 50	57	1196	32 x M45	710



Fucoli Somepal
FUNDIÇÃO DE FERRO, S. A.

Visit our website at www.fucoli-somepal.pt

Head office: Estrada de Coselhas, 3000-125 Coimbra – Portugal | Tel.: (+351) 239 490100 | Fax: (+351) 239 490198

Branch office: Rua de Aveiro 50, 3050-420 Pampilhosa – Portugal | Tel.: (+351) 239 490100 | Fax: (+351) 231 949292 | comercial@fucoli-somepal.pt

