

FLANGED SOFT SEALING GATE VALVE S15 3000

with AUMA electric actuator

DN 40 - 600 PN10/16

01.203A



Product description

- Flanged soft sealing gate valve series 3000 with AUMA electric actuator, for drinking water and neutral liquids
- Service temperature from 0°C (excluding frost) to 70°C

Standards

- Designed according to EN 1074 parte 1 & 2 and EN 1171
- Flange drilling to EN 1092-2 PN10/16
- Face-to-face according to EN 558 serie 15
- ISO top flange according to ISO 5210
- Auma Norm multi-turn electric actuators with enclosure IP68 according to EN 60529

Tests

All valves are individually hydrostatically tested according to EN 1074-1/2 and EN 12266-1:

- Seal: 1.1 x PN (in bar); Body: 1.5 x PN (in bar)

Corrosion protection

- Epoxy powder coating RAL 5005
- Applied internal and external with a minimum coating thickness of 250 µm
- Potable water approved epoxy coating, fusion bonded according DIN 3476-1, EN 14901-1 and GSK approved

Approvals

- ACS Potability Certificate 26 ACC NY 096
- GSK Epoxy Coating Certificate GSK-ID:1247 (RAL-GZ 662)

Features

- Isolation valve approved for drinking water
- Full bore
- The valves from DN 250 to DN 300 are equipped with an axial bearing, from DN 350 to DN 600 are equipped with two thrust bearings to ensure reduced operating torque
- Stainless steel stem with rolled threads produced by cold rolling process, which keeps the steel structure and increase its mechanical resistance
- Stem sealing system with 4 O-rings in EPDM
- O-ring stem sealing exchangeable under pressure
- Wedge fully vulcanized with drinking water approved EPDM
- Wedge with brass nut fixed in the wedge core preventing vibration and ensure a long life span
- Wedge and body designed with “monorail” system
- Round EPDM bonnet gasket fixed in a recess, surrounding the bolts, ensuring a perfect seal
- Body/bonnet bolts in stainless steel A2 encased and sealed ensuring full corrosion protection
- Auma Norm electric actuator multi-turn SA with three-phase AC motors (3PH - 400V - 50Hz - IP68)
- On request possibility of stem in stainless steel AISI 316L, NBR sealings, wedge nut in different brass alloys, actuator Auma Norm single phase, Auma Matic, Aumatic or others.



100% MADE IN EUROPE



Fucoli-Somepal
FUNDAÇÃO DE FERRO, S. A.

Visit our website at www.fucoli-somepal.pt

Head office: Estrada de Coselhas, 3000-125 Coimbra – Portugal | Tel.: (+351) 239 490100

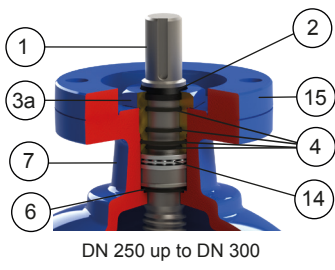
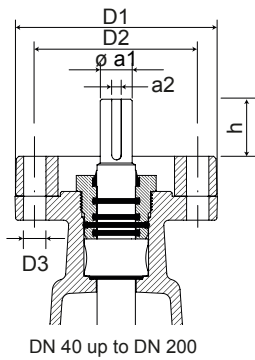
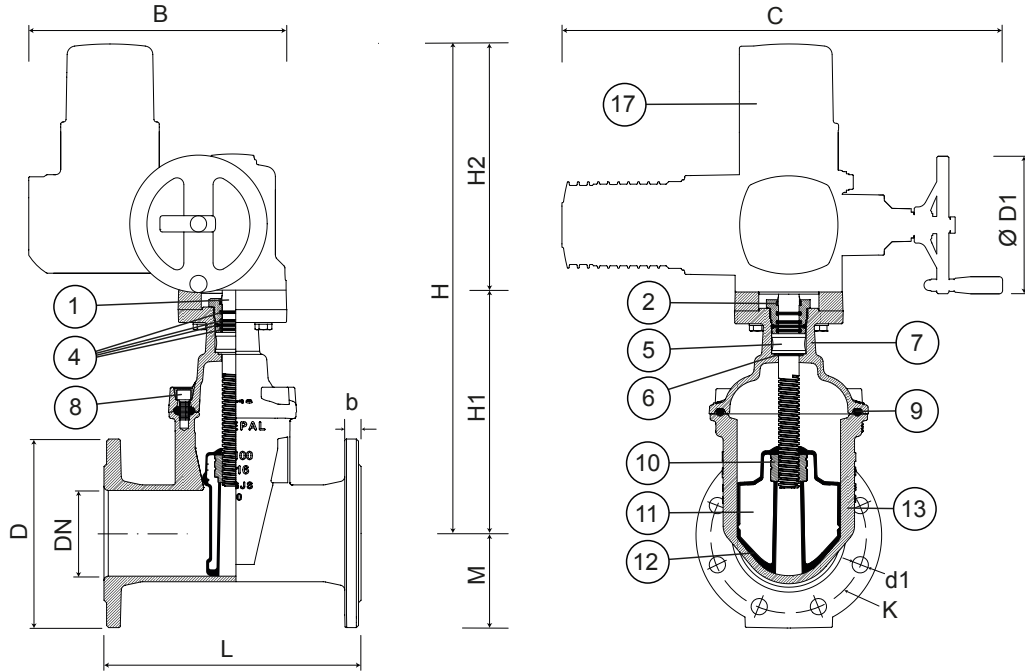
Branch office: Rua de Aveiro 50, 3050-420 Pampilhosa – Portugal | Tel.: (+351) 239 490100 | comercial@fucoli-somepal.pt

FLANGED SOFT SEALING GATE VALVE S15 3000

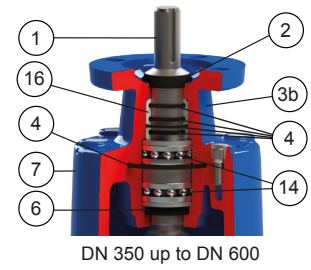
with AUMA electric actuator

DN 40 - 600 PN10/16

01.203A



DN 250 up to DN 300



DN 350 up to DN 600

Component list

pos	components	material	standard
1	Stem	Stainless stell AISI 420	EN 10088-1
2	Clearing joint	Elastomer	-
3a	Gland	Brass DZR CW626N	EN 12164
3b	Gland	Ductile iron EN-GJS-500-7	EN 1563
4	O-rings	Elastomer EPDM	EN 681-1
5	Stem washer	Brass DZR CW602N	EN 12164
6	O-rings	Elastomer EPDM	EN 681-1
7	Bonnet	Ductile iron EN-GJS-500-7	EN 1563
8	Bolts	Stainless stell A2	EN 10088-1

pos	components	material	standard
9	Bonnet gasket	Elastomer EPDM	EN 681-1
10	Wedge nut	Brass DZR CW626N	EN 12164
11	Wedge	Ductile iron EN-GJS-500-7	EN 1563
12	Wedge covering	Elastomer EPDM	EN 681-1
13	Body	Ductile iron EN-GJS-500-7	EN 1563
14	Bearing	Steel	ISO 20516
15	Mounting flange	Ductile iron EN-GJS-500-7	EN 1563
16	Gland-bush	POM	-
17	AUMA electric actuator	-	-

continued on next page

All the drawing, technical data, dimensions and weights are not binding. Subject to change. The components may be replaced by equivalent or higher materials without prior notice.

Ed.8 Rev. 8 2/3

FLANGED SOFT SEALING GATE VALVE S15 3000

with AUMA electric actuator

DN 40 - 600 PN10/16

01.203A



continued from previous page

Reference and dimensions

DN	PN	code	D	L	H	H1	M	K	n° x d1	b	ISO 5210 flange	AUMA actuator	B	C	Ø D1	H2	RPM actuator	closed time s.	Kg approx.
			mm	mm	mm	mm	mm	mm	mm	mm			mm	mm	mm	mm			
40	10/16	10726500A	150	240	496	208	75	110	4 x 19	19	F10	SA 07.6	300	514	160	288	45	17	36
50	10/16	10726510A	165	250	496	208	83	125	4 x 19	19	F10	SA 07.6	300	514	160	288	45	17	38
60	10/16	10726520A	175	270	505	217	88	135	4 x 19	19	F10	SA 07.6	300	514	160	288	45	18	40
65	10/16	10726530A	185	270	505	217	93	145	4 x 19	19	F10	SA 07.6	300	514	160	288	45	18	40
80	10/16	10726540A	200	280	545	257	100	160	8 x 19	19	F10	SA 07.6	300	514	160	288	45	22	45
100	10/16	10726550A	220	300	576	286	110	180	8 x 19	19	F10	SA 10.2	313	537	200	290	45	27	52
125	10/16	10726560A	250	325	613	323	125	210	8 x 19	19	F10	SA 10.2	313	537	200	290	45	34	58
150	10/16	10726570A	285	350	674	384	143	240	8 x 23	19	F10	SA 10.2	313	537	200	290	45	40	72
200	10	10726580A	340	400	749	459	115	295	8 x 23	20	F10	SA 10.2	313	537	200	290	45	45	87
200	16	10726585A	340	400	749	459	115	295	12 x 23	20	F10	SA 10.2	313	537	200	290	45	45	87
250	10	10726590A	400	450	861	545	200	350	12 x 23	22	F14	SA 14.2	377	725	315	316	22	114	157
250	16	10726595A	400	450	861	545	200	355	12 x 28	22	F14	SA 14.2	377	725	315	316	22	114	157
300	10	10726600A	455	500	936	620	228	400	12 x 23	24.5	F14	SA 14.2	377	725	315	316	22	137	196
300	16	10726605A	455	500	936	620	228	410	12 x 28	24.5	F14	SA 14.2	377	725	315	316	22	137	196
350	10	10726610A	505	550	1191	875	253	460	16 x 23	24.5	F14	SA 14.6	377	728	400	316	22	183	320
350	16	10726615A	520	550	1191	875	260	470	16 x 28	26.5	F14	SA 14.6	377	728	400	316	22	183	324
400	10	10726620A	565	600	1191	875	283	515	16 x 28	24.5	F14	SA 14.6	377	728	400	316	22	183	343
400	16	10726625A	580	600	1191	875	290	525	16 x 31	28	F14	SA 14.6	377	728	400	316	22	183	346
450	10	10726630A	615	650	1371	1055	308	565	20 x 28	25.5	F14	SA 14.6	377	728	400	316	22	194	514
450	16	10726635A	640	650	1371	1055	320	585	20 x 31	30	F14	SA 14.6	377	728	400	316	22	194	531
500	10	10726640A	670	700	1371	1055	335	620	20 x 28	26.5	F14	SA 14.6	377	728	400	316	22	194	548
500	16	10726645A	715	700	1371	1055	358	650	20 x 34	31.5	F14	SA 14.6	377	728	400	316	22	194	565
600	10	10726650A	780	800	1550	1210	390	725	20 x 31	30	F16	SA 16.2	422	795	500	340	22	235	710
600	16	10726655A	840	800	1550	1210	420	770	20 x 37	36	F16	SA 16.2	422	795	500	340	22	235	760

Electric actuator with RPMs other than those mentioned, on request.
For more information on the electric actuator consult the manufacturer's technical documentation.