

# FLANGE ADAPTOR FOR UPVC DN 50 - 500 PN10/16

09.100



## Product description

- Flange adaptor for uPVC pipes for drinking water and neutral liquids
- Service temperature from 0°C (excluding frost) to 70°C

## Standards

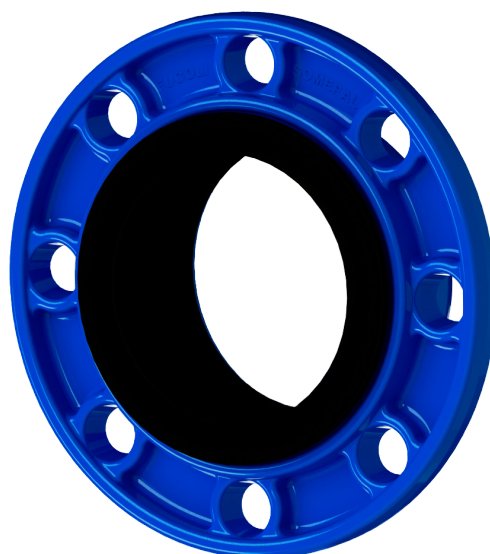
- Designed according to EN 12842
- Flange drilling to EN 1092-2 (ISO 7005-2) PN 10/16

## Corrosion protection

- Epoxy powder coating RAL 5005
- Applied internal and external with a minimum coating thickness of 250 µm
- Potable water approved epoxy coating fusion bonded according EN 14901 and GSK (RAL-GZ662) guidelines

## Features

- Flange adaptor for drinking water
- Body in ductile cast iron (EN-GJS-500-7)
- Sealing ring with drinking water approved EPDM
- Simple and fast instalation
- Flanged fitting connecting any flanged component with PVC pipe
- Allow a maximum deflection angles 3.5°
- Double flange drilling PN 10/16 for DN 50 to DN 300
- Maximum working pressure 16 bar, the max. pressure of service according to pipe standard
- This accessory does not guarantee the locking of the tubes, they must be anchored by other means
- Accessories: kit flange in steel zinc plated [ref. 15.500] or kit flange in stainless steel [ref. 15.510]
- On request possibility of sealing ring in NBR.



100% MADE IN EUROPE



**Fucoli Somepal**  
FUNDAÇÃO DE FERRO, S.A.

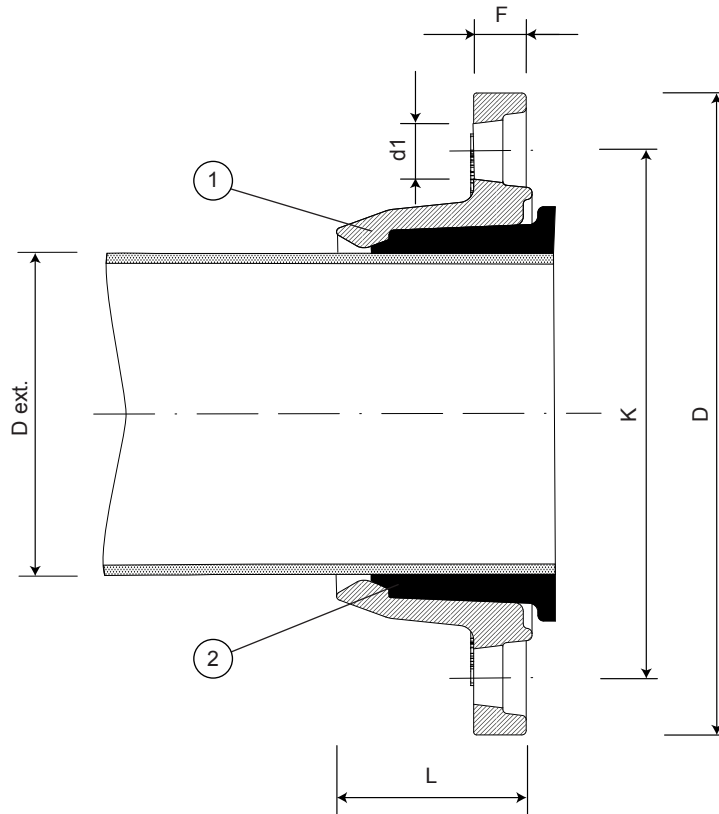
Visit our website at [www.fucoli-somepal.pt](http://www.fucoli-somepal.pt)

**Head office:** Estrada de Coselhas, 3000-125 Coimbra – Portugal | Tel.: (+351) 239 490100 | Fax: (+351) 239 490198

**Branch office:** Rua de Aveiro 50, 3050-420 Pampilhosa – Portugal | Tel.: (+351) 239 490100 | Fax: (+351) 231 949292 | [comercial@fucoli-somepal.pt](mailto:comercial@fucoli-somepal.pt)

# FLANGE ADAPTOR FOR UPVC DN 50 - 500 PN10/16

09.100



## Component list

pos.	components	material	standard
1	Flange	Ductile iron EN-GJS-500-7	EN 1563
2	Sealing ring	Elastomer EPDM	EN 681 - 1

## Reference and dimensions

DN	D ext. uPVC	PN	code	D mm	L mm	F mm	K mm	n° x d1 mm	Kg approx.
50	63	10/16	1013100501	165	48	20	125	4 x 19	2
50/60/65	63	10/16	1013100001	185	48	20	125/135/145	4 x 19	2
60/65	63	10/16	1013101001	185	48	20	135/145	4 x 19	2
60/65	75	10/16	1013101501	185	54	20	135/145	4 x 19	2
80	90	10/16	1013102001	200	56	20	160	8 x 19	3
100	90	10/16	1013102501	220	56	20	180	8 x 19	4
100	110	10/16	1013103001	220	62	20	180	8 x 19	4
125	125	10/16	1013103501	250	66	20	210	8 x 19	4
125	140	10/16	1013104001	250	66	20	210	8 x 19	4
150	160	10/16	1013104501	285	73	20	240	8 x 23	6
200	200	10/16	1013105001	340	84	21	295	8-12 x 23	8
200	225	10/16	1013105501	340	84	21	295	8-12 x 23	7
250	250	10/16	1013106001	400	101	22	350/355	12 x 23/28	11
250	280	10/16	1013106501	400	101	22	350/355	12 x 23/28	11
300	315	10/16	1013107001	455	111	23	400/410	12 x 23/28	14
400	400	10	1013107501	565	133	25	515	16 x 28	25
400	400	16	1013108001	580	133	25	515	16 x 31	26
500	500	10	1013108501	670	128	27	620	20 x 28	34
500	500	16	1013109001	715	128	27	650	20 x 34	44



**Fucoli Somepal**  
FUNDAÇÃO DE FERRO, S.A.

Visit our website at [www.fucoli-somepal.pt](http://www.fucoli-somepal.pt)

Head office: Estrada de Coselhas, 3000-125 Coimbra – Portugal | Tel.: (+351) 239 490100 | Fax: (+351) 239 490198

Branch office: Rua de Aveiro 50, 3050-420 Pampilhosa – Portugal | Tel.: (+351) 239 490100 | Fax: (+351) 231 949292 | [comercial@fucoli-somepal.pt](mailto:comercial@fucoli-somepal.pt)



100% MADE IN EUROPE