

# BUTTERFLY VALVE DUPLEX 316L

## with seat in stainless steel AISI 316L

### DN 150 - 1100 PN10/16/25

04.102



#### Product description

- Butterfly valve series DUPLEX 316L for drinking water and neutral liquids
- Service temperature from 0°C (excluding frost) to 70°C

#### Standards

- Designed according to EN 1074 parte 1 & 2 and EN 593
- Flange drilling to EN 1092-2 PN10/16/25
- Face-to-face according to EN 558 table 2 series 14

#### Tests

All valves are individually hydrostatically tested according to EN 1074-1/2 and EN 12266:

- Seal 1.1 x PN (in bar); Body: 1.5 x PN (in bar)

#### Corrosion protection

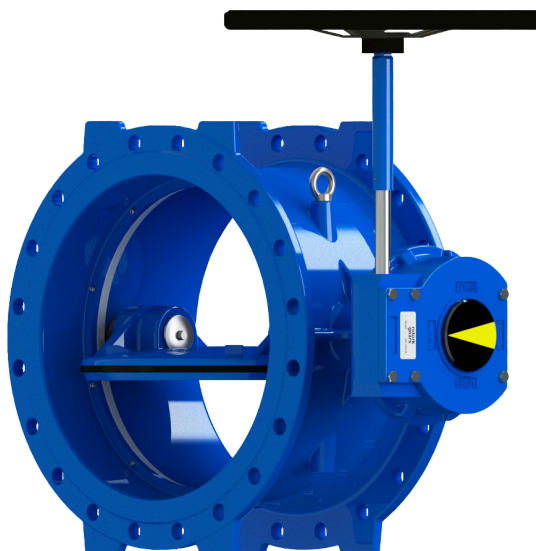
- Epoxy powder coating RAL 5005
- Applied internal and external with a minimum coating thickness of 250 µm
- Potable water approved epoxy coating, fusion bonded according DIN 3476-1, EN 14901 and GSK approved

#### Approvals

- Certified according to EN 1074-1/2: AENOR Certificate B18/000004
- ACS Potability Certificate 23 ACC NY 592
- GSK Epoxy Coating Certificate GSK-ID:1247 (RAL-GZ 662)

#### Features

- Isolation and flow regulation valve approved for drinking water
- Double eccentricity valve and bidirectional sealing allowing a perfect seal on both flow directions
- Body in ductile cast iron EN-GJS-500-7
- Body seat in stainless steel AISI 316L
- Shafts in stainless steel AISI 316L bronze covering
- Easy O-rings replacement
- Inovator shutter stability system which impedes its transversal displacement thus guaranteeing a permanent sealing
- Equipped with gearbox IP67 correctly adjusted in the factory, in the opening and closing positions, which guarantee its correct functioning
- Gearbox with worm-gear which blocks the shutter in any position, thus impeding that the impact of the flow changes its position
- On request the possibility of obturator sealing in NBR/SBR, gearbox IP68 and gearbox with limit switches.



100% MADE IN EUROPE



**Fucoli Somepal**  
FUNDAÇÃO DE FERRO, S. A.

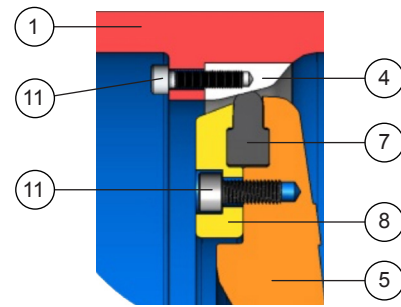
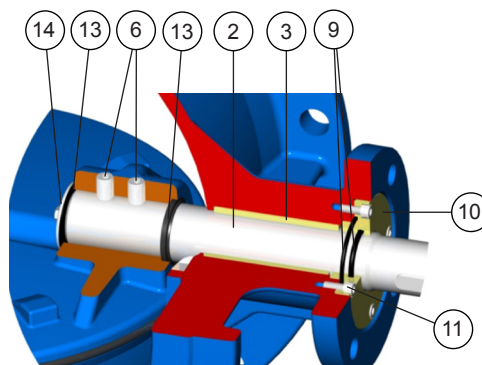
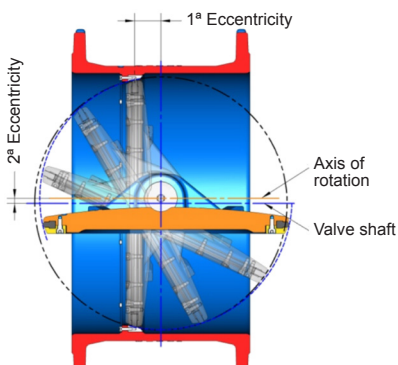
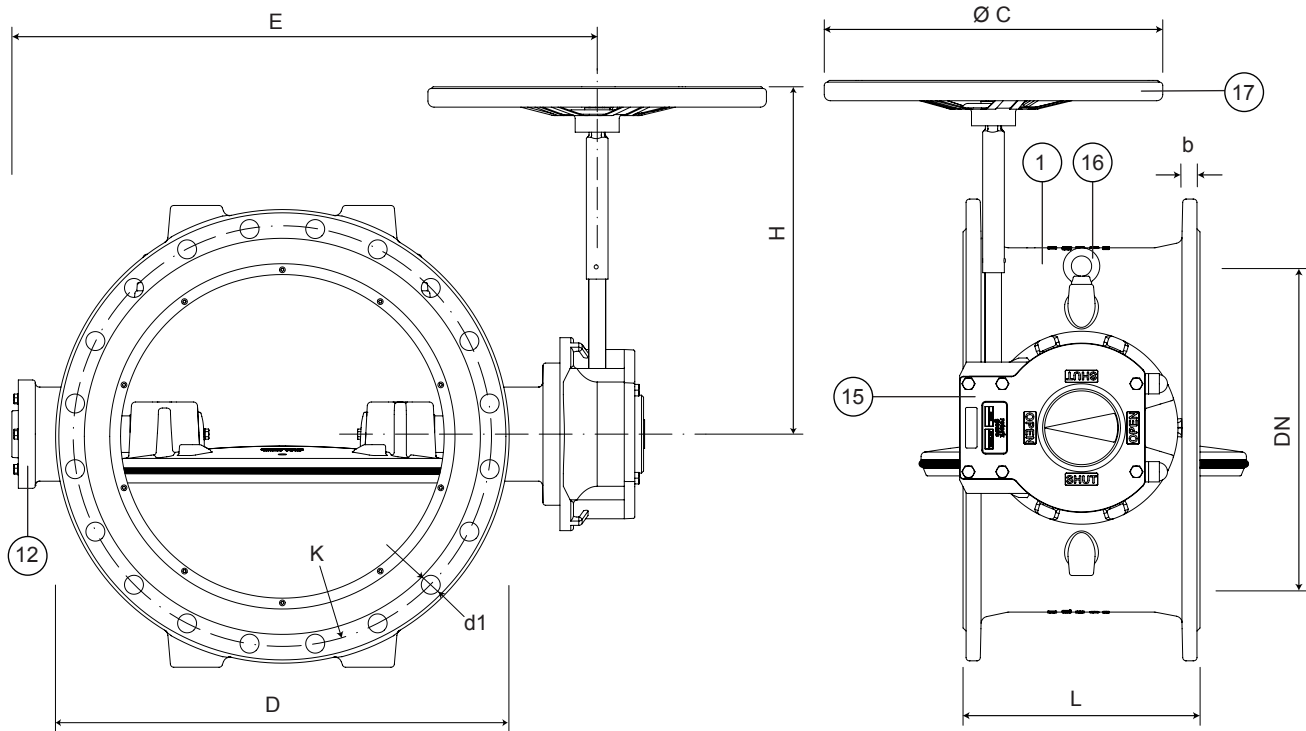
Visit our website at [www.fucoli-somepal.pt](http://www.fucoli-somepal.pt)

Head office: Estrada de Coselhas, 3000-125 Coimbra – Portugal | Tel.: (+351) 239 490100 | Fax: (+351) 239 490198

Branch office: Rua de Aveiro 50, 3050-420 Pampilhosa – Portugal | Tel.: (+351) 239 490100 | Fax: (+351) 231 949292 | [comercial@fucoli-somepal.pt](mailto:comercial@fucoli-somepal.pt)

**BUTTERFLY VALVE DUPLEX 316L**  
with seat in stainless steel AISI 316L  
**DN 150 - 1100 PN10/16/25**

04.102



Seal detail with body seat in stainless steel AISI 316L

**Component list**

| pos. | components           | material   | standard     |
|------|----------------------|--|--------------|
| 1    | Body                 | Ductile iron EN-GJS-500-7                                | EN 1563      |
| 2    | Shafts               | Stainless steel AISI 316L                                | EN 10088 - 1 |
| 3    | Shafts bushing       | Bronze CuSn <sub>7</sub> Zn <sub>4</sub> Pb <sub>7</sub> | EN 1982      |
| 4    | Body seat            | Stainless steel AISI 316L                                | EN 10088 - 1 |
| 5    | Obturator            | Ductile iron EN-GJS-500-7                                | EN 1563      |
| 6    | Stud                 | Stainless steel A2                                       | EN 10088 - 1 |
| 7    | Obturator sealing    | Elastomer EPDM   | EN 681 - 1   |
| 8    | Seal tightening ring | Ductile iron EN-GJS-500-7                                | EN 1563      |
| 9    | O-rings              | Elastomer EPDM   | EN 681 - 1   |
| 10   | Locking ring O-ring  | Bronze CuSn <sub>7</sub> Zn <sub>4</sub> Pb <sub>7</sub> | EN 1982      |
| 11   | Bolts                | Stainless steel A2                                       | EN 10088 - 1 |
| 12   | Side bonnet          | Ductile iron EN-GJS-500-7                                | EN 1563      |
| 13   | Shafts sealing       | Elastomer EPDM   | EN 681 - 1   |
| 14   | Shafts washer        | Stainless steel AISI 316L                                | EN 10088 - 1 |
| 15   | Gearbox              | -  | -            |
| 16   | Lifting eyes         | Steel zinc plated  | -            |
| 17   | Handwheel            | Printed steel ST W24                                     | 10305 - 3    |

continued on next page

**BUTTERFLY VALVE DUPLEX 316L**  
**with seat in stainless steel AISI 316L**  
**DN 150 - 1100 PN10/16/25**

04.102



continued from previous page

Butterfly valve Duplex 316L with Rotork IP67



Reference and dimensions

| DN   | PN    | code     | D<br>mm | L<br>mm | E<br>mm | H<br>mm | K<br>mm | n° x d1<br>mm | b<br>mm | Ø C<br>mm | Kg<br>approx. |
|------|-------|----------|---------|---------|---------|---------|---------|---------------|---------|-----------|---------------|
| 150  | 10/16 | 10776010 | 285     | 210     | 390     | 294     | 240     | 8 x 23        | 19      | 200       | 35            |
| 150  | 25    | 10778010 | 300     | 210     | 390     | 294     | 250     | 8 x 28        | 20      | 200       | 43            |
| 200  | 10    | 10776020 | 340     | 230     | 445     | 304     | 295     | 8 x 23        | 20      | 200       | 46            |
| 200  | 16    | 10777020 | 340     | 230     | 445     | 304     | 295     | 12 x 23       | 20      | 200       | 71            |
| 200  | 25    | 10778020 | 360     | 230     | 445     | 304     | 310     | 12 x 28       | 22      | 250       | 71            |
| 250  | 10    | 10776030 | 400     | 250     | 525     | 380     | 350     | 12 x 23       | 22      | 250       | 74            |
| 250  | 16    | 10777030 | 400     | 250     | 525     | 380     | 355     | 12 x 28       | 22      | 250       | 74            |
| 250  | 25    | 10778030 | 425     | 250     | 525     | 380     | 370     | 12 x 31       | 24.5    | 250       | 84            |
| 300  | 10    | 10776040 | 455     | 270     | 576     | 380     | 400     | 12 x 23       | 24.5    | 250       | 91            |
| 300  | 16    | 10777040 | 455     | 270     | 576     | 380     | 410     | 12 x 28       | 24.5    | 250       | 91            |
| 300  | 25    | 10778040 | 485     | 270     | 576     | 380     | 430     | 16 x 31       | 27.5    | 300       | 103           |
| 350  | 10    | 10776050 | 505     | 290     | 640     | 441     | 460     | 16 x 23       | 24.5    | 300       | 127           |
| 350  | 16    | 10777050 | 520     | 290     | 640     | 441     | 470     | 16 x 28       | 26.5    | 300       | 135           |
| 350  | 25    | 10778050 | 555     | 290     | 640     | 441     | 490     | 16 x 34       | 30      | 300       | 146           |
| 400  | 10    | 10776060 | 565     | 310     | 731     | 441     | 515     | 16 x 28       | 24.5    | 300       | 148           |
| 400  | 16    | 10777060 | 580     | 310     | 731     | 441     | 525     | 16 x 31       | 28      | 300       | 157           |
| 400  | 25    | 10778060 | 620     | 310     | 731     | 441     | 550     | 16 x 37       | 32      | 300       | 176           |
| 450  | 10    | 10776070 | 615     | 330     | 813     | 555     | 565     | 20 x 28       | 25.5    | 300       | 198           |
| 450  | 16    | 10777070 | 640     | 330     | 813     | 555     | 585     | 20 x 31       | 30      | 300       | 220           |
| 450  | 25    | 10778070 | 670     | 330     | 813     | 555     | 600     | 20 x 37       | 34.5    | 300       | 231           |
| 500  | 10    | 10776080 | 670     | 350     | 861     | 555     | 620     | 20 x 28       | 26.5    | 300       | 233           |
| 500  | 16    | 10777080 | 715     | 350     | 861     | 555     | 650     | 20 x 34       | 31.5    | 300       | 257           |
| 500  | 25    | 10778080 | 730     | 350     | 861     | 555     | 660     | 20 x 37       | 36.5    | 300       | 283           |
| 600  | 10    | 10776100 | 780     | 390     | 985     | 610     | 725     | 20 x 31       | 30      | 300       | 312           |
| 600  | 16    | 10777100 | 840     | 390     | 985     | 610     | 770     | 20 x 37       | 36      | 300       | 355           |
| 600  | 25    | 10778100 | 845     | 390     | 985     | 610     | 770     | 20 x 41       | 42      | 300       | 396           |
| 700  | 10    | 10776120 | 895     | 430     | 1095    | 660     | 840     | 24 x 31       | 32.5    | 300       | 460           |
| 700  | 16    | 10777120 | 910     | 430     | 1095    | 660     | 840     | 24 x 37       | 39.5    | 300       | 512           |
| 700  | 25    | 10778120 | 960     | 430     | 1095    | 660     | 875     | 24 x 44       | 46.5    | 300       | 774           |
| 800  | 10    | 10776140 | 1015    | 470     | 1195    | 660     | 950     | 24 x 34       | 35      | 300       | 582           |
| 800  | 16    | 10777140 | 1025    | 470     | 1195    | 660     | 950     | 24 x 41       | 43      | 300       | 632           |
| 800  | 25    | 10778140 | 1085    | 470     | 1195    | 660     | 990     | 24 x 50       | 51      | 300       | 919           |
| 900  | 10    | 10776160 | 1115    | 510     | 1340    | 660     | 1050    | 28 x 34       | 37.5    | 300       | 895           |
| 900  | 16    | 10777160 | 1125    | 510     | 1340    | 660     | 1050    | 28 x 41       | 46.5    | 300       | 943           |
| 900  | 25    | 10778160 | 1185    | 510     | 1340    | 660     | 1090    | 28 x 50       | 55.5    | 500       | 1047          |
| 1000 | 10    | 10776180 | 1230    | 550     | 1495    | 670     | 1160    | 28 x 37       | 40      | 300       | 1081          |
| 1000 | 16    | 10777180 | 1255    | 550     | 1495    | 670     | 1170    | 28 x 44       | 50      | 300       | 1152          |
| 1000 | 25    | 10778180 | 1320    | 550     | 1495    | 670     | 1210    | 28 x 57       | 60      | 500       | 1281          |
| 1100 | 10    | 10776200 | 1340    | 590     | 1613    | 700     | 1270    | 32 x 37       | 42.5    | 300       | 1653          |
| 1100 | 16    | 10777200 | 1355    | 590     | 1613    | 700     | 1270    | 32 x 44       | 53.5    | 300       | 1741          |

continued on next page

# BUTTERFLY VALVE DUPLEX 316L

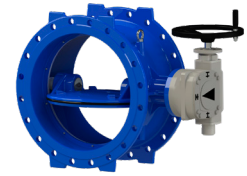
with seat in stainless steel AISI 316L  
DN 150 - 1100 PN10/16/25

04.102



continued from previous page

## Butterfly valve Duplex 316L with Auma IP68 (Motorizable)



### Reference and dimensions

| DN   | PN    | code          | D<br>mm | L<br>mm | E<br>mm | H<br>mm | K<br>mm | n° x d1<br>mm | b<br>mm | ISO flange<br>for actuator | Ø C<br>mm | Kg<br>approx. |
|------|-------|---------------|---------|---------|---------|---------|---------|---------------|---------|----------------------------|-----------|---------------|
| 150  | 10/16 | 10776010GSVOL | 285     | 210     | 390     | 294     | 240     | 8 x 23        | 19      | F10                        | 200       | -             |
| 150  | 25    | 10778010GSVOL | 300     | 210     | 390     | 294     | 250     | 8 x 28        | 20      | F10                        | 200       | -             |
| 200  | 10    | 10776020GSVOL | 340     | 230     | 445     | 304     | 295     | 8 x 23        | 20      | F10                        | 200       | -             |
| 200  | 16    | 10777020GSVOL | 340     | 230     | 445     | 304     | 295     | 12 x 23       | 20      | F10                        | 200       | -             |
| 200  | 25    | 10778020GSVOL | 360     | 230     | 445     | 304     | 310     | 12 x 28       | 22      | F10                        | 250       | -             |
| 250  | 10    | 10776030GSVOL | 400     | 250     | 525     | 380     | 350     | 12 x 23       | 22      | F10                        | 250       | -             |
| 250  | 16    | 10777030GSVOL | 400     | 250     | 525     | 380     | 355     | 12 x 28       | 22      | F10                        | 250       | -             |
| 250  | 25    | 10778030GSVOL | 425     | 250     | 525     | 380     | 370     | 12 x 31       | 24.5    | F10                        | 250       | -             |
| 300  | 10    | 10776040GSVOL | 455     | 270     | 576     | 380     | 400     | 12 x 23       | 24.5    | F10                        | 250       | -             |
| 300  | 16    | 10777040GSVOL | 455     | 270     | 576     | 380     | 410     | 12 x 28       | 24.5    | F10                        | 250       | -             |
| 300  | 25    | 10778040GSVOL | 485     | 270     | 576     | 380     | 430     | 16 x 31       | 27.5    | F10                        | 300       | -             |
| 350  | 10    | 10776050GSVOL | 505     | 290     | 640     | 441     | 460     | 16 x 23       | 24.5    | F10                        | 300       | -             |
| 350  | 16    | 10777050GSVOL | 520     | 290     | 640     | 441     | 470     | 16 x 28       | 26.5    | F10                        | 300       | -             |
| 350  | 25    | 10778050GSVOL | 555     | 290     | 640     | 441     | 490     | 16 x 34       | 30      | F10                        | 300       | -             |
| 400  | 10    | 10776060GSVOL | 565     | 310     | 731     | 441     | 515     | 16 x 28       | 24.5    | F10                        | 300       | -             |
| 400  | 16    | 10777060GSVOL | 580     | 310     | 731     | 441     | 525     | 16 x 31       | 28      | F10                        | 300       | -             |
| 400  | 25    | 10778060GSVOL | 620     | 310     | 731     | 441     | 550     | 16 x 37       | 32      | F10                        | 300       | -             |
| 450  | 10    | 10776070GSVOL | 615     | 330     | 813     | 555     | 565     | 20 x 28       | 25.5    | F10                        | 300       | -             |
| 450  | 16    | 10777070GSVOL | 640     | 330     | 813     | 555     | 585     | 20 x 31       | 30      | F10                        | 300       | -             |
| 450  | 25    | 10778070GSVOL | 670     | 330     | 813     | 555     | 600     | 20 x 37       | 34.5    | F10                        | 300       | -             |
| 500  | 10    | 10776080GSVOL | 670     | 350     | 861     | 555     | 620     | 20 x 28       | 26.5    | F10                        | 300       | -             |
| 500  | 16    | 10777080GSVOL | 715     | 350     | 861     | 555     | 650     | 20 x 34       | 31.5    | F10                        | 300       | -             |
| 500  | 25    | 10778080GSVOL | 730     | 350     | 861     | 555     | 660     | 20 x 37       | 36.5    | F10                        | 300       | -             |
| 600  | 10    | 10776100GSVOL | 780     | 390     | 985     | 610     | 725     | 20 x 31       | 30      | F10                        | 300       | -             |
| 600  | 16    | 10777100GSVOL | 840     | 390     | 985     | 610     | 770     | 20 x 37       | 36      | F10                        | 300       | -             |
| 600  | 25    | 10778100GSVOL | 845     | 390     | 985     | 610     | 770     | 20 x 41       | 42      | F10                        | 300       | -             |
| 700  | 10    | 10776120GSVOL | 895     | 430     | 1095    | 660     | 840     | 24 x 31       | 32.5    | F10                        | 300       | -             |
| 700  | 16    | 10777120GSVOL | 910     | 430     | 1095    | 660     | 840     | 24 x 37       | 39.5    | F10                        | 300       | -             |
| 700  | 25    | 10778120GSVOL | 960     | 430     | 1095    | 660     | 875     | 24 x 44       | 46.5    | F10                        | 300       | -             |
| 800  | 10    | 10776140GSVOL | 1015    | 470     | 1195    | 660     | 950     | 24 x 34       | 35      | F10                        | 300       | -             |
| 800  | 16    | 10777140GSVOL | 1025    | 470     | 1195    | 660     | 950     | 24 x 41       | 43      | F10                        | 300       | -             |
| 800  | 25    | 10778140GSVOL | 1085    | 470     | 1195    | 660     | 990     | 24 x 50       | 51      | F10                        | 300       | -             |
| 900  | 10    | 10776160GSVOL | 1115    | 510     | 1340    | 660     | 1050    | 28 x 34       | 37.5    | F10                        | 300       | -             |
| 900  | 16    | 10777160GSVOL | 1125    | 510     | 1340    | 660     | 1050    | 28 x 41       | 46.5    | F10                        | 300       | -             |
| 900  | 25    | 10778160GSVOL | 1185    | 510     | 1340    | 660     | 1090    | 28 x 50       | 55.5    | F10                        | 500       | -             |
| 1000 | 10    | 10776180GSVOL | 1230    | 550     | 1495    | 670     | 1160    | 28 x 37       | 40      | F10                        | 300       | -             |
| 1000 | 16    | 10777180GSVOL | 1255    | 550     | 1495    | 670     | 1170    | 28 x 44       | 50      | F10                        | 300       | -             |
| 1000 | 25    | 10778180GSVOL | 1320    | 550     | 1495    | 670     | 1210    | 28 x 57       | 60      | F14                        | 500       | -             |
| 1100 | 10    | 10776200GSVOL | 1340    | 590     | 1613    | 700     | 1270    | 32 x 37       | 42.5    | F10                        | 300       | -             |
| 1100 | 16    | 10777200GSVOL | 1355    | 590     | 1613    | 700     | 1270    | 32 x 44       | 53.5    | F14                        | 300       | -             |



**Fucoli Somepal**  
FUNDAÇÃO DE FERRO, S.A.

Visit our website at [www.fucoli-somepal.pt](http://www.fucoli-somepal.pt)

Head office: Estrada de Coselhas, 3000-125 Coimbra – Portugal | Tel.: (+351) 239 490100 | Fax: (+351) 239 490198

Branch office: Rua de Aveiro 50, 3050-420 Pampilhosa – Portugal | Tel.: (+351) 239 490100 | Fax: (+351) 231 949292 | [comercial@fucoli-somepal.pt](mailto:comercial@fucoli-somepal.pt)



100% MADE IN EUROPE