

## DOUBLE SOCKET COLLAR FOR uPVC

Fittings for uPVC pipes

63 - 400 PN16

11.1200



### Product description

- Double socket collar for uPVC pipes for waste water
- Service temperature from 0°C (excluding frost) to 70°C

### Standards

- Designed according to EN 12842
- For uPVC pipes according EN ISO 1452-2

### Corrosion protection

- Epoxy powder coating RAL 3011
- Applied internal and external with a minimum coating thickness of 250 µm
- Fusion bonded epoxy coating according EN 14901 and GSK (RAL-GZ662) guidelines

### Features

- Fitting for waste water uPVC pipes connection
- Body in ductile cast iron (EN-GJS-500-7)
- Fast and easy to install
- Socket ends with NBR double lip seal ring to ensure a perfect sealing
- Maximum working pressure 16 bar, the maximum working and test pressure must be in accordance with the pipe standard
- This fitting does not guarantee the pipe blocking, they must be anchored by other means.



**Fucoli Somepal**  
FUNDAÇÃO DE FERRO, S. A.

Visit our website at [www.fucoli-somepal.pt](http://www.fucoli-somepal.pt)

**Head office:** Estrada de Coselhas, 3000-125 Coimbra – Portugal | Tel.: (+351) 239 490100 | Fax: (+351) 239 490198

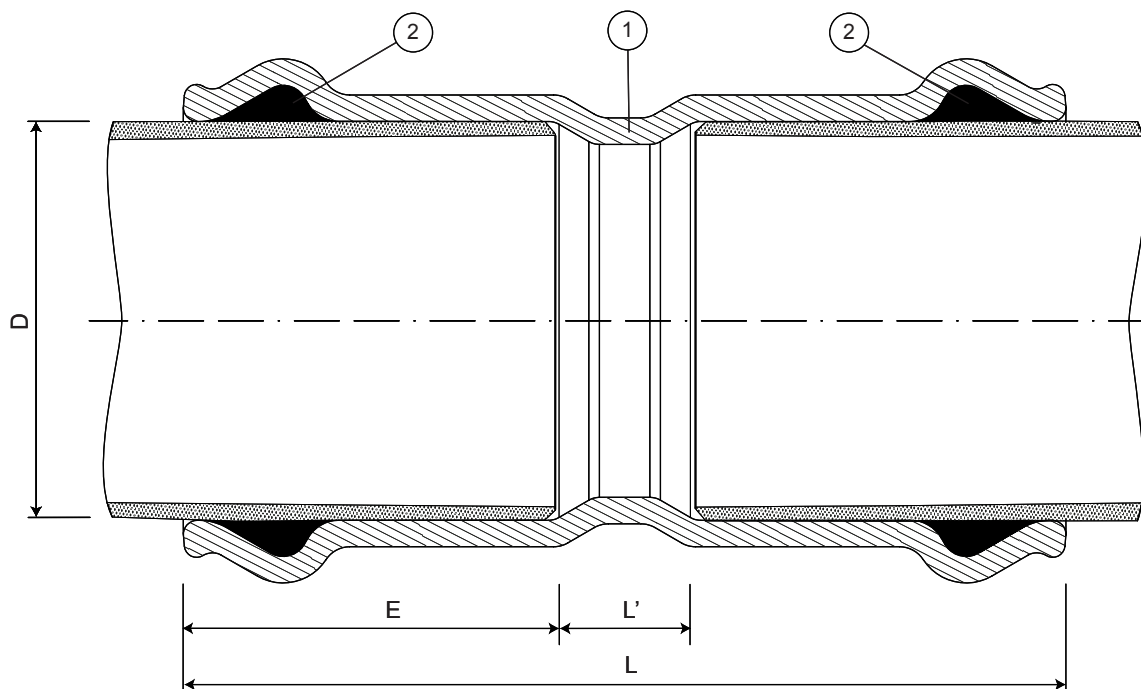
**Branch office:** Rua de Aveiro 50, 3050-420 Pampilhosa – Portugal | Tel.: (+351) 239 490100 | Fax: (+351) 231 949292 | [comercial@fucoli-somepal.pt](mailto:comercial@fucoli-somepal.pt)

# DOUBLE SOCKET COLLAR FOR uPVC

Fittings for uPVC pipes

63 - 400 PN16

11.1200



## Component list

pos.	components	material	standard
1	Body	Ductile iron EN-GJS-500-7	EN 1563
2	Sealing ring	Elastomer NBR	EN 681 - 1

## Reference and dimensions

$\varnothing D$ ext. PE/uPVC	code	L mm	L' mm	E mm	Kg approx.
63	10476000	210	34	88	3
75	10476010	220	40	90	4
90	10476020	234	40	97	5
110	10476030	250	40	105	6
125	10476040	256	40	108	7
140	10476050	260	40	110	8
160	10476060	296	50	123	10
200	10476070	324	60	132	16
250	10476090	370	80	145	22
315	10476110	396	120	160	35
400	10476120	481	135	173	57



**Fucoli Somepal**  
FUNDIÇÃO DE FERRO, S.A.

Visit our website at [www.fucoli-somepal.pt](http://www.fucoli-somepal.pt)

Head office: Estrada de Coselhas, 3000-125 Coimbra – Portugal | Tel.: (+351) 239 490100 | Fax: (+351) 239 490198

Branch office: Rua de Aveiro 50, 3050-420 Pampilhosa – Portugal | Tel.: (+351) 239 490100 | Fax: (+351) 231 949292 | [comercial@fucoli-somepal.pt](mailto:comercial@fucoli-somepal.pt)



100% MADE IN EUROPE