

HANDWHEEL for penstock valve DN 100 - 1200

05.110



Product description

- Handwheel for penstock valve

Features

- Handwheel in printed steel form DN 100 to DN 250 penstock valve with black polyester coating
- Handwheel in ductile cast iron (EN-GJS-500-7) form DN 300 to DN 1200 penstock valves, coated with black synthetic enamel paint
- Consult our technical services for other dimension.



Fucoli Somepal
FUNDAÇÃO DE FERRO, S. A.

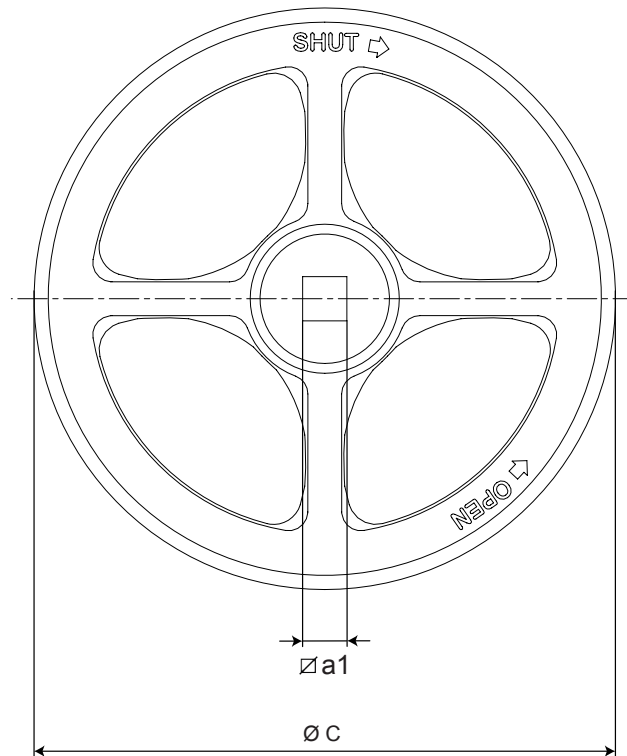
Visit our website at www.fucoli-somepal.pt

Head office: Estrada de Coselhas, 3000-125 Coimbra – Portugal | Tel.: (+351) 239 490100 | Fax: (+351) 239 490198

Branch office: Rua de Aveiro 50, 3050-420 Pampilhosa – Portugal | Tel.: (+351) 239 490100 | Fax: (+351) 231 949292 | comercial@fucoli-somepal.pt

HANDWHEEL
for penstock valve
DN 100 - 1200

05.110



Component list

pos.	components	material	standard
a	Handwheel	Printed stell ST W24	EN 10111 and 10130
b	Handwheel	Ductile iron EN-GJS-500-7	EN 1563

Reference and dimensions

pos.	DN	code	Ø C mm	Ø a1 mm	Kg approx.
a	100	10709520	200	17	1
a	150	10709531	300	19	2
a	200	10709540	400	24	4
a	250	10709540	400	24	4
b	300	10709440	500	27	9
b	350	10709440	500	27	9
b	400	10709450	500	32	10
b	450	10709450	500	32	10
b	500	10709450	500	32	10
b	600	10709450	500	32	10
b	700	10709480	720	41	27
b	800	10709480	720	41	27
b	900	10709480	720	41	27
b	1000	10709485	720	46	26



Fucoli Somepal
FUNDAÇÃO DE FERRO, S.A.

Visit our website at www.fucoli-somepal.pt

Head office: Estrada de Coselhas, 3000-125 Coimbra – Portugal | Tel.: (+351) 239 490100 | Fax: (+351) 239 490198

Branch office: Rua de Aveiro 50, 3050-420 Pampilhosa – Portugal | Tel.: (+351) 239 490100 | Fax: (+351) 231 949292 | comercial@fucoli-somepal.pt

