

## DOUBE SOCKET TEE FOR uPVC WITH THREADED BRANCH

Fittings for uPVC pipes  
63 - 400 PN10/16/25

10.500



### Product description

- Double socket tee for uPVC pipes with threaded branch for drinking water and neutral liquids
- Service temperature from 0°C (excluding frost) to 70°C

### Standards

- Designed according to EN 12842
- For uPVC pipes according EN ISO 1452-2

### Corrosion protection

- Epoxy powder coating RAL 5005
- Applied internal and external with a minimum coating thickness of 250 µm
- Potable water approved epoxy coating fusion bonded according EN 14901 and GSK (RAL-GZ662) guidelines

### Approvals

- ACS Potability Certificate 21 ACC NY 004

### Features

- Fitting approved for drinking water for uPVC pipes connection
- Body in ductile cast iron (EN-GJS-500-7)
- Fast and easy to install
- Socket ends with drinking water approved EPDM double lip seal ring to ensure a perfect sealing
- Maximum working pressure 25 bar, the maximum working and test pressure must be in accordance with the pipe standard
- This fitting does not guarantee the pipe blocking, they must be anchored by other means
- On request possibility of sealing ring in NBR.



**Fucoli Somepal**  
FUNDAÇÃO DE FERRO, S. A.

Visit our website at [www.fucoli-somepal.pt](http://www.fucoli-somepal.pt)

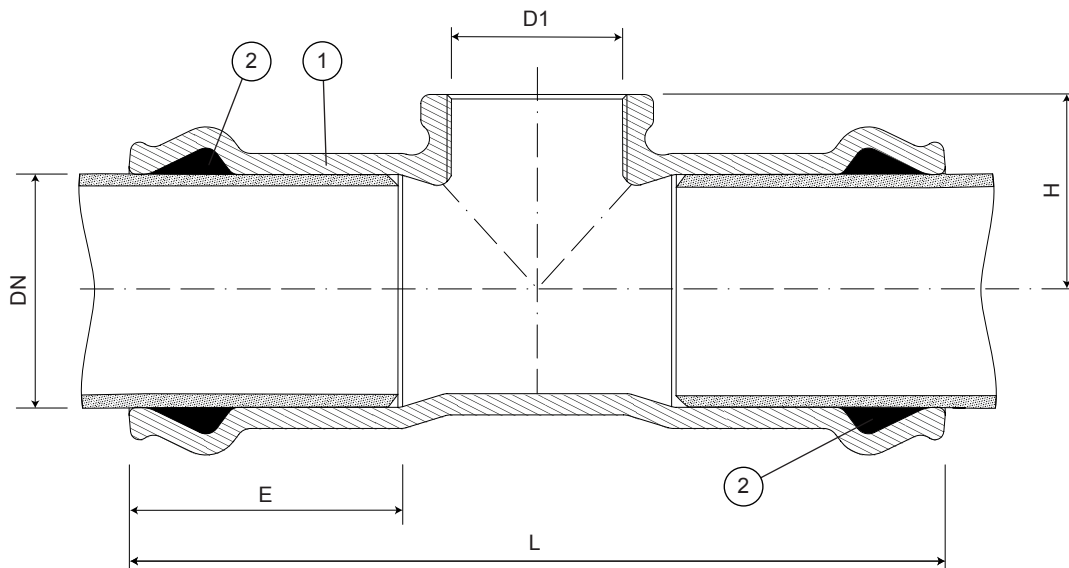
**Head office:** Estrada de Coselhas, 3000-125 Coimbra – Portugal | Tel.: (+351) 239 490100 | Fax: (+351) 239 490198

**Branch office:** Rua de Aveiro 50, 3050-420 Pampilhosa – Portugal | Tel.: (+351) 239 490100 | Fax: (+351) 231 949292 | [comercial@fucoli-somepal.pt](mailto:comercial@fucoli-somepal.pt)

# DOUBE SOCKET TEE FOR uPVC WITH THREADED BRANCH

Fittings for uPVC pipes  
63 - 400 PN10/16/25

10.500



## Component list

pos.	components	material	standard
1	Body	Ductile iron EN-GJS-500-7	EN 1563
2	Sealing ring	Elastomer EPDM	EN 681 - 1

## Reference and dimensions

ø D ext. PE/uPVC	D1 (BSP)	code	L mm	H mm	E mm	Kg approx.
63	G 1 1/2"	1045100301	258	59	88	4
63	G 2"	1046106201	258	59	88	4
75	G 1 1/2"	1045100201	270	64	90	4
75	G 2"	1045130501	270	64	90	4
90	G 1 1/2"	1045100101	291	81	97	6
90	G 2"	1045130701	291	81	97	6
90	G 2 1/2"	1045130801	306	81	97	6
110	G 1 1/2"	1045100501	315	90	105	7
110	G 2"	1045140701	315	90	105	7
110	G 2 1/2"	1045140801	330	90	105	8
125	G 1 1/2"	1045100401	332	97	108	8
125	G 2"	1045150701	332	97	108	8
140	G 1 1/2"	1045141201	340	104	110	10
140	G 2"	1045141001	340	104	110	10
160	G 1 1/2"	1045142201	370	113	123	12
160	G 2"	1045142001	370	113	123	12
200	G 1 1/2"	1045145201	410	145	132	16
200	G 2"	1045100701	410	145	132	17
250	G 1 1/2"	1045143201	462	166	145	24
250	G 2"	1045143001	462	166	145	24
315	G 2"	1045144001	516	195	160	38
400	G 1 1/2"	10451445002	562	245	173	60
400	G 2"	10451445001	562	245	173	60



**Fucoli Somepal**  
FUNDAÇÃO DE FERRO, S. N.

Visit our website at [www.fucoli-somepal.pt](http://www.fucoli-somepal.pt)

Head office: Estrada de Coselhas, 3000-125 Coimbra – Portugal | Tel.: (+351) 239 490100 | Fax: (+351) 239 490198

Branch office: Rua de Aveiro 50, 3050-420 Pampilhosa – Portugal | Tel.: (+351) 239 490100 | Fax: (+351) 231 949292 | [comercial@fucoli-somepal.pt](mailto:comercial@fucoli-somepal.pt)



100% MADE IN EUROPE