

ALL SOCKET TEE FOR uPVC

Fittings for uPVC pipes

63 - 400 PN16

11.1300



Product description

- All socket tee for uPVC pipes for waste water
- Service temperature from 0°C (excluding frost) to 70°C

Standards

- Designed according to EN 12842
- For uPVC pipes according EN ISO 1452-2

Corrosion protection

- Epoxy powder coating RAL 3011
- Applied internal and external with a minimum coating thickness of 250 µm
- Fusion bonded epoxy coating according EN 14901 and GSK (RAL-GZ662) guidelines

Features

- Fitting for waste water uPVC pipes connection
- Body in ductile cast iron (EN-GJS-500-7)
- Fast and easy to install
- Socket ends with NBR double lip seal ring to ensure a perfect sealing
- Maximum working pressure 16 bar, the maximum working and test pressure must be in accordance with the pipe standard
- This fitting does not guarantee the pipe blocking, they must be anchored by other means.



Fucoli Somepal
FUNDAÇÃO DE FERRO, S. A.

Visit our website at www.fucoli-somepal.pt

Head office: Estrada de Coselhas, 3000-125 Coimbra – Portugal | Tel.: (+351) 239 490100 | Fax: (+351) 239 490198

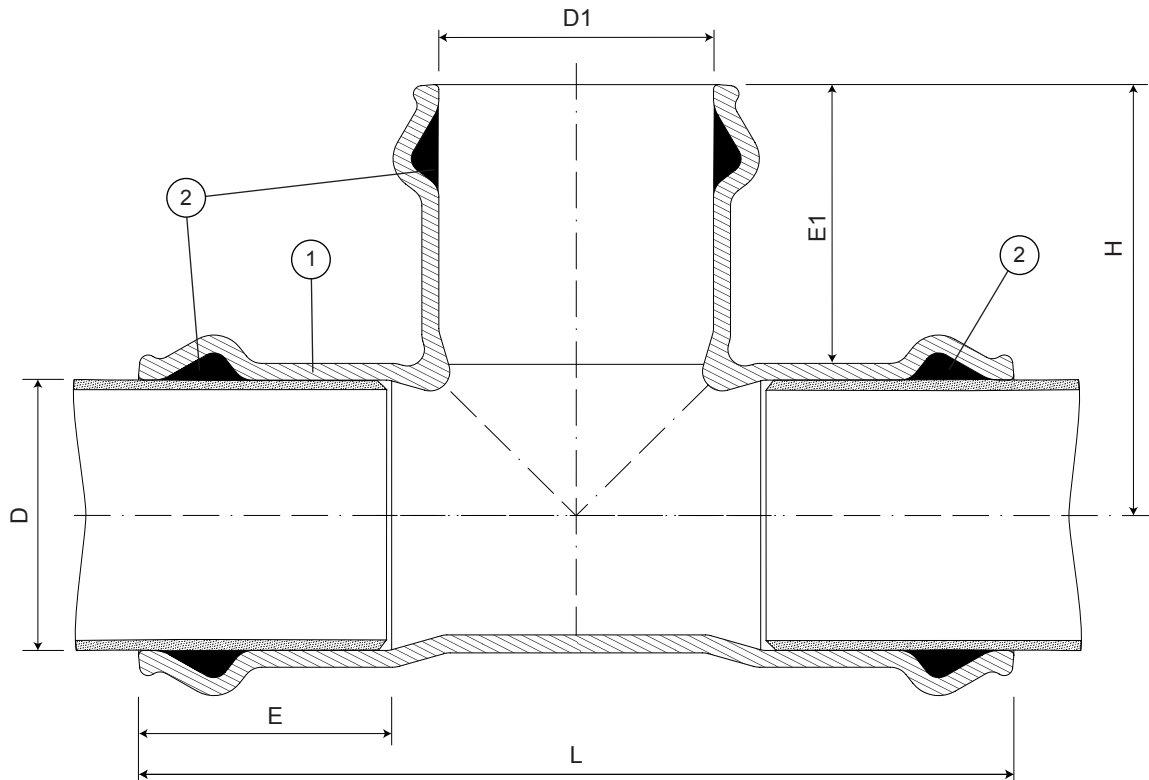
Branch office: Rua de Aveiro 50, 3050-420 Pampilhosa – Portugal | Tel.: (+351) 239 490100 | Fax: (+351) 231 949292 | comercial@fucoli-somepal.pt

ALL SOCKET TEE FOR uPVC

Fittings for uPVC pipes

63 - 400 PN16

11.1300



Component list

pos.	components	material	standard
1	Body	Ductile iron EN-GJS-500-7	EN 1563
2	Sealing ring	Elastomer NBR	EN 681 - 1

Reference and dimensions

D x D1 ext. PE/PVC	code	L mm	H mm	E mm	E1 mm	Kg approx.
63 x 63	10481000	260	127	88	88	5
75 x 63	10481001	268	134	90	88	6
75 x 75	10481002	280	140	90	90	6
90 x 63	10481003	292	142	97	88	7
90 x 75	10481004	302	148	97	90	7
90 x 90	10481005	316	164	97	97	8
110 x 63	10481006	315	150	105	88	8
110 x 75	10481007	327	156	105	90	9
110 x 90	10481008	340	156	105	97	9
110 x 110	10481009	360	180	105	105	10
125 x 63	10481010	334	169	108	88	9
125 x 75	10481011	345	162	108	90	10
125 x 90	10481012	360	174	108	97	12
125 x 110	10481013	377	179	108	105	12
125 x 125	10481014	404	202	108	108	12
140 x 63	10481015	342	169	110	88	10
140 x 75	10481016	353	177	110	90	11
140 x 90	10481017	368	181	110	97	11
140 x 110	10481018	386	184	110	105	12
140 x 125	10481019	410	206	110	108	14
140 x 140	10481020	412	206	110	110	14

continued on next page

ALL SOCKET TEE FOR uPVC

Fittings for uPVC pipes

63 - 400 PN16

11.1300



continued from previous page

D x D1 ext. PE/PVC	code	L mm	H mm	E mm	E1 mm	Kg approx.
160 x 63	10481021	373	181	123	88	12
160 x 75	10481022	384	188	123	90	13
160 x 90	10481023	398	191	123	97	13
160 x 110	10481024	416	197	123	105	14
160 x 125	10481025	443	217	123	108	16
160 x 140	10481026	443	217	123	110	16
160 x 160	10481027	461	228	123	123	16
180 x 180	10481129	437	219	128	128	23
200 x 63	10481028	389	200	132	80	17
200 x 75	10481029	395	204	132	90	18
200 x 90	10481030	405	216	132	97	19
200 x 110	10481031	422	220	132	105	19
200 x 125	10481032	485	238	132	108	22
200 x 140	10481033	485	238	132	110	22
200 x 160	10481034	470	252	132	123	23
200 x 200	10481035	520	255	132	132	26
250 x 63	10481045	464	255	145	88	27
250 x 75	10481046	475	230	145	90	27
250 x 90	10481047	489	241	145	97	27
250 x 110	10481048	507	234	145	105	27
250 x 125	10481049	534	266	145	108	32
250 x 140	10481050	534	266	145	110	33
250 x 160	10481051	552	266	145	123	34
250 x 200	10481052	597	268	145	132	35
250 x 250	10481054	627	332	145	145	41
315 x 63	10481066	520	258	160	88	41
315 x 75	10481067	530	260	160	90	43
315 x 90	10481068	543	262	160	97	43
315 x 110	10481069	561	267	160	105	44
315 x 125	10481070	588	285	160	108	47
315 x 140	10481071	588	290	160	110	49
315 x 160	10481072	606	299	160	123	50
315 x 200	10481073	665	325	160	132	54
315 x 250	10481075	715	350	160	145	61
315 x 315	10481077	746	379	160	160	67
400 x 110	10481081	653	328	173	105	76
400 x 140	10481083	680	353	173	110	79
400 x 250	10481087	807	405	173	145	97
400 x 315	10481089	838	441	173	160	105
400 x 400	10481090	960	489	173	173	130



Fucoli Somepal
FUNDAÇÃO DE FERRO, S. R. L.

Visit our website at www.fucoli-somepal.pt

Head office: Estrada de Coselhas, 3000-125 Coimbra – Portugal | Tel.: (+351) 239 490100 | Fax: (+351) 239 490198

Branch office: Rua de Aveiro 50, 3050-420 Pampilhosa – Portugal | Tel.: (+351) 239 490100 | Fax: (+351) 231 949292 | comercial@fucoli-somepal.pt

