

FLANGE ADAPTOR WITH TENSILE RING FOR UPVC/PE DN 50 - 500 PN10/16

09.200



Product description

- Flange adaptor with tensile ring for uPVC/PE pipes for drinking water and neutral liquids
- Service temperature from 0°C (excluding frost) to 70°C

Standards

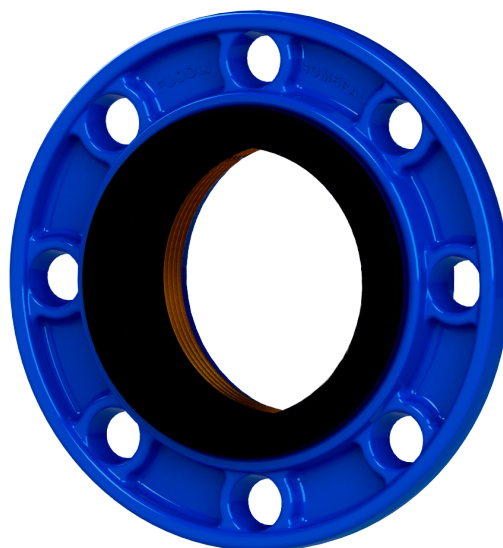
- Designed according to EN 12842
- Flange drilling to EN 1092-2 (ISO 7005-2) PN 10/16

Corrosion protection

- Epoxy powder coating RAL 5005
- Applied internal and external with a minimum coating thickness of 250 µm
- Potable water approved epoxy coating fusion bonded according EN 14901 and GSK (RAL-GZ662) guidelines

Features

- Flange adaptor for drinking water
- Body in ductile cast iron (EN-GJS-500-7)
- Sealing ring with drinking water approved EPDM
- Simple and fast instalation
- Flanged fitting connecting any flanged component with a PE or UPVC pipe
- Allow a maximum deflection angles 3.5°
- Double flange drilling PN 10/16 for DN 40 to DN 300
- The insert [ref. 15.400] must be used in PE pipes to avoid deformation of the pipe
- Tensile ring for pipe blockage
- Maximum working pressure 16 bar, the max. pressure of service according to pipe standard
- Accessories: kit flange in steel zinc plated [ref. 15.500] or kit flange in stainless steel [ref. 15.510]
- On request possibility of sealing ring in NBR.



Fucoli Somepal
FUNDAÇÃO DE FERRO, S. A.

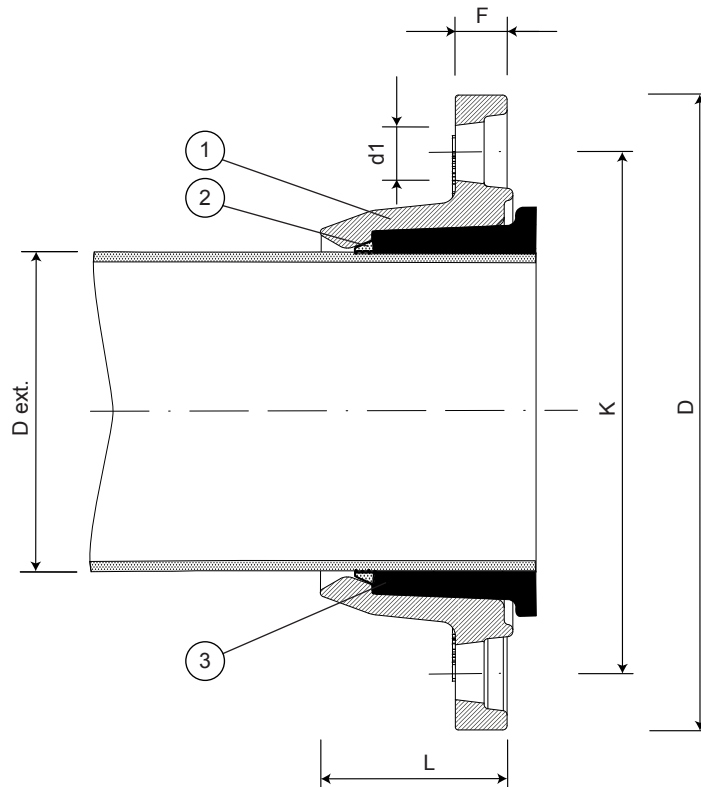
Visit our website at www.fucoli-somepal.pt

Head office: Estrada de Coselhas, 3000-125 Coimbra – Portugal | Tel.: (+351) 239 490100 | Fax: (+351) 239 490198

Branch office: Rua de Aveiro 50, 3050-420 Pampilhosa – Portugal | Tel.: (+351) 239 490100 | Fax: (+351) 231 949292 | comercial@fucoli-somepal.pt

FLANGE ADAPTOR WITH TENSILE RING FOR UPVC/PE DN 50 - 500 PN10/16

09.200



Component list

pos.	components	material	standard
1	Flange	Ductile iron EN-GJS-500-7	EN 1563
2	Tensile ring	Brass	EN 1982
3	Sealing ring	Elastomer EPDM	EN 681 - 1

Reference and dimensions

DN	D ext. uPVC/PE	PN	code	D mm	L mm	F mm	K mm	n° x d1 mm	Kg approx.
50	63	10/16	10132005	165	48	20	125	4 x 19	2
60/65	63	10/16	10132010	185	48	20	135/145	4 x 19	2
60/65	75	10/16	10132015	185	54	20	135/145	4 x 19	3
80	90	10/16	10132020	200	56	20	160	8 x 19	3
100	90	10/16	10132025	220	56	20	180	8 x 19	4
100	110	10/16	10132030	220	62	20	180	8 x 19	4
125	125	10/16	10132035	250	66	20	210	8 x 19	5
125	140	10/16	10132040	250	66	20	210	8 x 19	5
150	160	10/16	10132045	285	73	20	240	8 x 23	6
200	200	10/16	10132050	340	84	21	295	8-12 x 23	8
200	225	10/16	10132055	340	84	21	295	8-12 x 23	8
250	250	10/16	10132060	400	101	22	350/355	12 x 23/28	12
250	280	10/16	10132065	400	101	22	350/355	12 x 23/28	13
300	315	10/16	10132070	455	101	23	400/410	12 x 23/28	14
400	400	10	10132075	565	133	25	515	16 x 28	27
400	400	16	10132076	580	133	25	525	16 x 31	30
500	500	10	10132080	670	128	31	620	20 x 28	37
500	500	16	10132086	715	128	31	650	20 x 34	47



Fucoli Somepal
FUNDAÇÃO DE FERRO, S.A.

Visit our website at www.fucoli-somepal.pt

Head office: Estrada de Coselhas, 3000-125 Coimbra – Portugal | Tel.: (+351) 239 490100 | Fax: (+351) 239 490198

Branch office: Rua de Aveiro 50, 3050-420 Pampilhosa – Portugal | Tel.: (+351) 239 490100 | Fax: (+351) 231 949292 | comercial@fucoli-somepal.pt



100% MADE IN EUROPE