

# SINGLE FUNCTION AIR VALVE

series WIND

DN 20 - 100 PN10/16

06.100



## Product description

- Single function air valve WIND for drinking water, prepared for water supply in firefighting and irrigation systems
- Service temperature from 0°C (excluding frost) to 70°C

## Standards

- Designed according to EN 1074-4
- Flange drilling to EN 1092-2 PN10/16
- Internal parallel BSP thread (Type G) according to ISO 228-1 and ISO 1179-1

## Tests

All valves are individually hydrostatically tested according to EN 1074-4:

- Seal 1.1 x PN (in bar); Body: 1.5 x PN (in bar)

## Corrosion protection

- Epoxy powder coating RAL 5005
- Applied internal and external with a minimum coating thickness of 250 µm
- Potable water approved epoxy coating fusion bonded according EN 14901 and GSK (RAL-GZ662) guidelines

## Features

- Single function air valve, designed for the discharge of small air volume allowing air admission into the system during system drainage
- Available with two connection choices: flanged or threaded
- For use in clean water suitable in pipelines up to DN 200
- Minimum working pressure: 0.1 bar
- Built-in 1/4 turn ball valve with a purger that allows the device to be isolated for checking and maintenance
- Available with filter to prevent debris from passing into the sealing zone of the air valve
- It must be installed in a vertical position and according to the following parameters:
  - at the highest point;
  - when accentuating the slope in the flow direction;
  - downstream of control valves fitted on descending pipeline;
  - at regular intervals along ascending/descending pipeline, at least every 500 meters;
- On request possibility of float coating and sealing in NBR.



(A)

(B)



**Fucoli Somepal**  
FUNDAÇÃO DE FERRO, S. A.

Visit our website at [www.fucoli-somepal.pt](http://www.fucoli-somepal.pt)

Head office: Estrada de Coselhas, 3000-125 Coimbra – Portugal | Tel.: (+351) 239 490100 | Fax: (+351) 239 490198

Branch office: Rua de Aveiro 50, 3050-420 Pampilhosa – Portugal | Tel.: (+351) 239 490100 | Fax: (+351) 231 949292 | [comercial@fucoli-somepal.pt](mailto:comercial@fucoli-somepal.pt)

Ed.8 Rev. 1  
09-2023

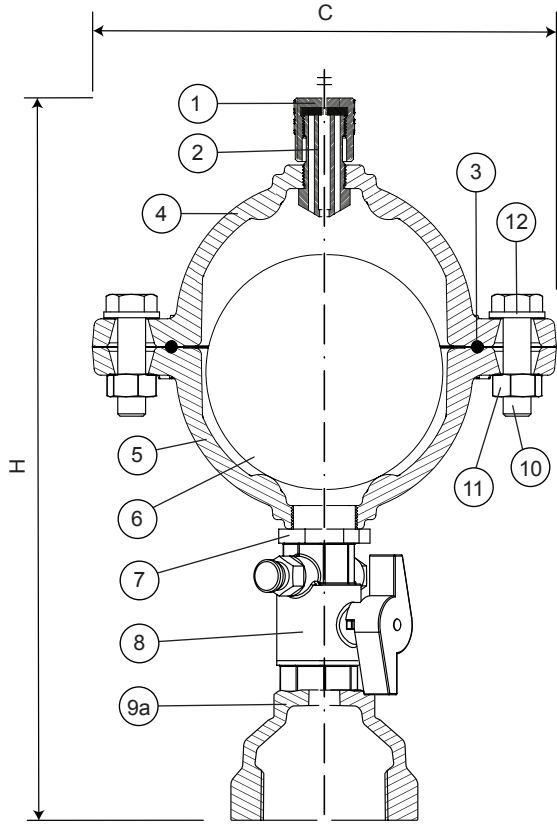
Being one of the main objectives of our company the development and satisfaction of our customers, we reserve the right to update, change or replace the specifications presented without prior notice.

# SINGLE FUNCTION AIR VALVE

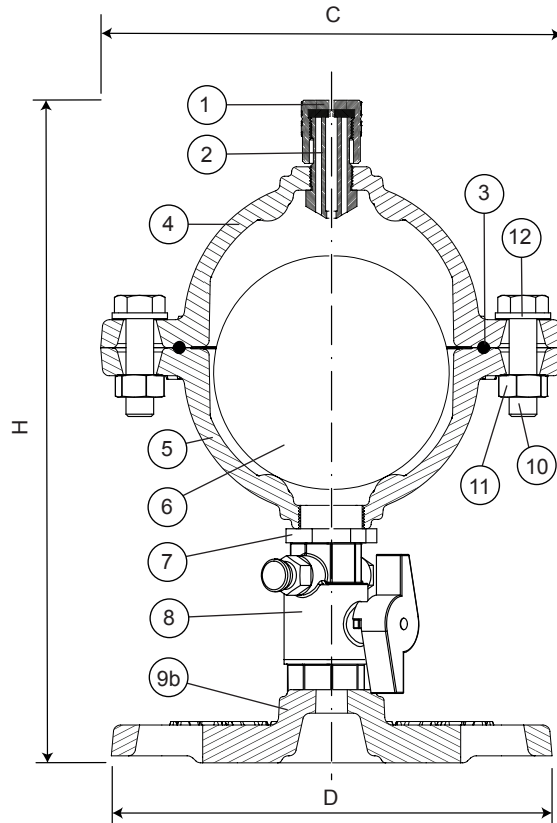
series WIND

DN 20 - 100 PN10/16

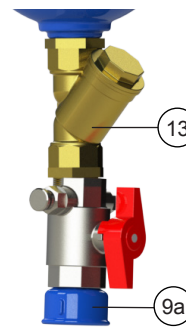
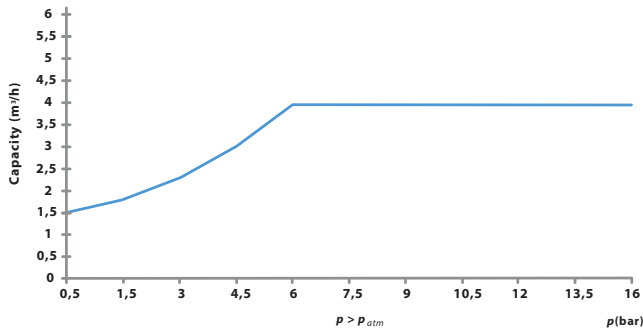
06.100



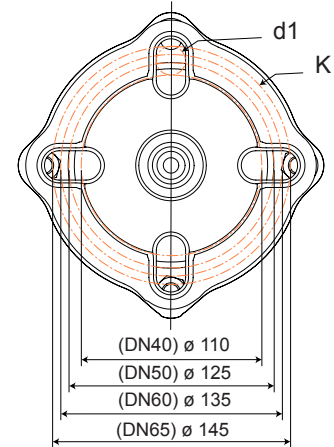
A - Single function air valve threaded model



B - Single function air valve flanged model



Filter (optional)



Flange of the single function air valve model  
DN 40 / 50 / 60 / 65

## Component list

pos.	components	material	standard
1	Purger with evacuation	Brass CuZn39Pb3	EN 12164
2	Evacuation	Brass CuZn39Pb3	EN 12164
3	O-ring	Elastomer EPDM	EN 681 - 1
4	Bonnet	Ductile iron EN-GJS-500-7	EN 1563
5	Body	Ductile iron EN-GJS-500-7	EN 1563
6	Flutuator	Steel docol 1000DP	-
	Flutuator covering	Elastomer EPDM	EN 681 - 1
7	Bushing	Brass	-

pos.	components	material	standard
8	Ball valve with purger	Brass	-
9a	Threaded	Ductile iron EN-GJS-500-7	EN 1563
9b	Flange	Ductile iron EN-GJS-500-7	EN 1563
10	Bolts	Stainless steel A2	EN 10088 - 1
11	Nuts	Stainless steel A4	EN 10088 - 1
12	Washers	Stainless steel A2	EN 10088 - 1
13	Filter (optional)	Brass	-

continued on next page

**SINGLE FUNCTION AIR VALVE**  
**series WIND**  
**DN 20 - 100 PN10/16**

06.100



continued from previous page

**A - Single function air valve threaded model**

**Reference and dimensions**

DN	D (BSP)	code	filter Y / N	C mm	H mm	Kg approx.
20	G 3/4"	19901111	Y	188	336	6
20	G 3/4"	19901002	N	188	266	6
25	G 1"	19901109	Y	188	406	6
25	G 1"	19901003	N	188	336	6
32	G 1 1/4"	19901112	Y	188	406	6
32	G 1 1/4"	19901006	N	188	336	6
40	G 1 1/2"	19901108	Y	188	406	6
40	G 1 1/2"	19901004	N	188	336	6
50	G 2"	19901113	Y	188	406	7
50	G 2"	19901005	N	188	336	7

**B - Single function air valve flanged model**

**Reference and dimensions**

DN	PN	code	filter Y / N	ø D mm	C mm	H mm	K mm	n° x d1 mm	Kg approx.
DN 40/50/60/65	10/16	19901110	Y	185	188	371	110/145	4 x 19	8
DN 40/50/60/65	10/16	19901001	N	185	188	301	110/145	4 x 19	8
DN 80	10/16	19901129	Y	220	188	371	160/180	8 x 19	10
DN 80	10/16	19901009	N	220	188	301	160/180	8 x 19	8
DN 100	10/16	19901130	Y	220	188	371	160/180	8 x 19	10
DN 100	10/16	19901010	N	220	188	301	160/180	8 x 19	8

DN	Main pipe diameter (DN)
G 3/4" to G 2"	40 to 200
40 / 50 / 60 / 65	
80	
100	



**Fucoli Somepal**  
 FUNDIÇÃO DE FERRO, S. A.

Visit our website at [www.fucoli-somepal.pt](http://www.fucoli-somepal.pt)

**Head office:** Estrada de Coselhas, 3000-125 Coimbra – Portugal | Tel.: (+351) 239 490100 | Fax: (+351) 239 490198

**Branch office:** Rua de Aveiro 50, 3050-420 Pampilhosa – Portugal | Tel.: (+351) 239 490100 | Fax: (+351) 231 949292 | [comercial@fucoli-somepal.pt](mailto:comercial@fucoli-somepal.pt)

