

# LARGE TOLERANCE MULTIMATERIALS COUPLING FLANGED ADAPTOR 08.301

## DN 40 - 1200 PN10/16



### Product description

- Large tolerance multimaterials coupling flanged adaptor for drinking water and neutral liquids
- Service temperature from 0°C (excluding frost) to 70°C

### Standards

- Designed according to EN 14525

### Test according

- EN 14525: Positive internal pressure and negative internal

### Corrosion protection

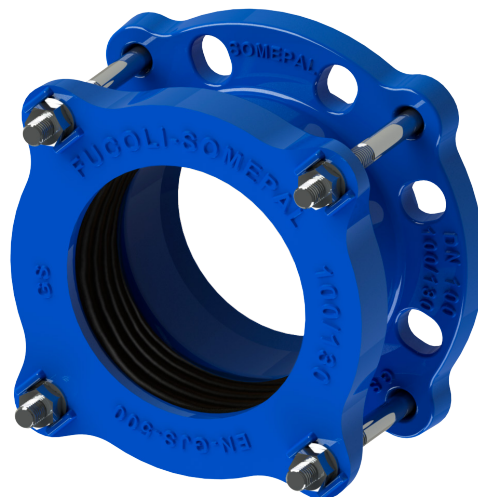
- Epoxy powder coating RAL 5005
- Applied internal and external with a minimum coating thickness of 250 µm
- Potable water approved epoxy coating, fusion bonded according EN 14901 and GSK approved

### Approvals

- ACS Potability Certificate 23 ACC NY 127
- GSK Epoxy Coating Certificate GSK-ID:1247 (RAL-GZ 662)

### Features

- Large tolerance multimaterial coupling flanged adaptor for drinking water
- EPDM sealing gaskets drinking water approved, with incorporated O-rings, which ensures an extremely effective seal and absorb minor imperfections in the pipe
- Tolerance range from 30 to 40 mm that allows great versatility of the product and assembly of pipes with different materials and diameters
- Allow a maximum deflection angle of 3°
- Bolts in steel cl. 8.8, geomet coated
- Allow the connection between pipe of ductile iron, steel, uPVC, asbestos cement, glass fibre, among other
- On request possibility of NBR sealing and/or bolts, washers and nuts in stainless steel A2 or A4.



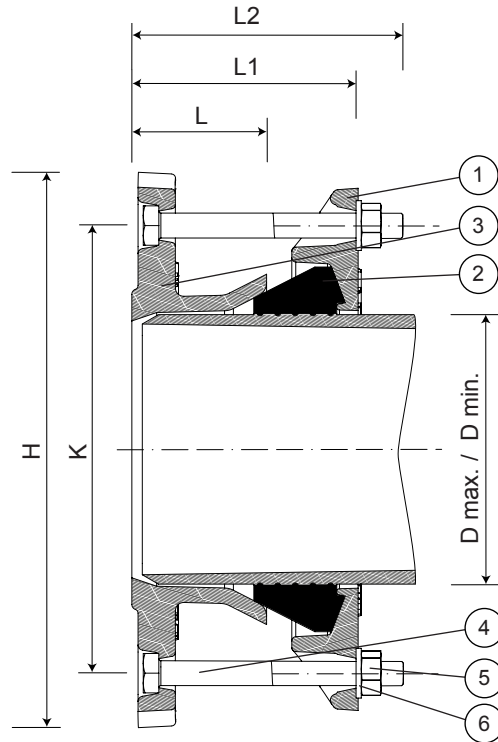
**Fucoli Somepal**  
FUNDAÇÃO DE FERRO, S. A.

Visit our website at [www.fucoli-somepal.pt](http://www.fucoli-somepal.pt)

**Head office:** Estrada de Coselhas, 3000-125 Coimbra – Portugal | Tel.: (+351) 239 490100 | Fax: (+351) 239 490198

**Branch office:** Rua de Aveiro 50, 3050-420 Pampilhosa – Portugal | Tel.: (+351) 239 490100 | Fax: (+351) 231 949292 | [comercial@fucoli-somepal.pt](mailto:comercial@fucoli-somepal.pt)


# LARGE TOLERANCE MULTIMATERIALS COUPLING FLANGED ADAPTOR 08.301



## Component list

pos.	components	material	standard	pos.	components	material	standard
1	Locking ring	Ductile iron EN-GJS-500-7	EN 1563	4	Bolts	Steel cl 8.8 (geomet coating)	ISO 898-1
2	Sealing	Elastomer EPDM	EN 681 - 1	5	Nuts	Steel cl 8 (geomet coating)	ISO 898-2
3	Body	Ductile iron EN-GJS-500-7	EN 1563	6	Washers	Steel (geomet coating)	ISO 898-2

## Reference and dimensions

DN flange	D min./max. mm - mm	PN	code	L mm	L1 mm	H flange mm	K mm	Kg approx.	Bolt	L2 mm		Torque
40	25 - 55	10/16	10900200	65	108	150	110	5	3 x M12	120	19 mm	60 - 80 Nm
50	39 - 69	10/16	10900201	65	108	165	125	5	3 x M12	120	19 mm	60 - 80 Nm
50	46 - 76	10/16	10900202	65	108	165	125	5	3 x M12	120	19 mm	60 - 80 Nm
60/65	57 - 87	10/16	10900203	65	108	175/185	135/145	6	4 x M12	120	19 mm	60 - 80 Nm
80	78 - 108	10/16	10900204	65	108	200	160	7	4 x M12	120	19 mm	60 - 80 Nm
80/100	87 - 117	10/16	10900209	65	108	200/220	160/180	7	4 x M12	120	19 mm	60 - 80 Nm
100	87 - 117	10/16	10900205	65	108	220	180	7	4 x M12	120	19 mm	60 - 80 Nm
100	100 - 130	10/16	10900206	65	108	220	180	8	4 x M12	120	19 mm	60 - 80 Nm
100	108 - 138	10/16	10900211	65	114	220	180	7	4 x M12	120	19 mm	60 - 80 Nm
125	117 - 147	10/16	10900207	70	114	250	210	9	4 x M12	120	19 mm	60 - 80 Nm
125/150	129 - 159	10/16	10900208	70	114	250/285	210/240	10	4 x M12	120	19 mm	60 - 80 Nm
150	152 - 182	10/16	10900210	75	119	285	240	11	4 x M16	150	24 mm	100 - 140 Nm
200	186 - 216	10/16	10900212	75	119	340	295	14	4 x M16	150	24 mm	100 - 140 Nm
200	198 - 228	10/16	10900213	75	119	340	295	14	4 x M16	150	24 mm	100 - 140 Nm
250	245 - 280	10/16	10900215	85	140	400	350	21	4 x M16	150	24 mm	100 - 140 Nm
250	266 - 301	10/16	10900216	90	145	400	350	22	6 x M16	150	24 mm	100 - 140 Nm
300	314 - 349	10/16	10900217	90	145	455	400	27	6 x M16	150	24 mm	100 - 140 Nm
350	343 - 378	10/16	10900218	90	145	505/520	460	33	8 x M16	150	24 mm	100 - 140 Nm
350	375 - 410	10/16	10900219	127	145	505/520	460	40	8 x M16	200	24 mm	100 - 140 Nm
400	396 - 431	10	10900221	127	190	565	515	44	8 x M16	200	24 mm	100 - 140 Nm

continued on next page

# LARGE TOLERANCE MULTIMATERIALS COUPLING FLANGED ADAPTOR 08.301

## DN 40 - 1200 PN10/16



continued from previous page


DN flange	D min./max. mm - mm	PN	code	L mm	L1 mm	H flange mm	K mm	Kg approx.	Bolt	L2 mm		Torque
400	396 - 431	16	10900222	127	190	580	525	47	8 x M16	200	24 mm	100 - 140 Nm
400	420 - 455	10	10900223	127	190	565	515	46	8 x M16	200	24 mm	100 - 140 Nm
400	420 - 455	16	10900224	127	190	580	525	48	8 x M16	200	24 mm	100 - 140 Nm
450	457 - 492	10	10900225	127	190	615	565	54	10 x M16	200	24 mm	100 - 140 Nm
450	457 - 492	16	10900226	127	190	640	585	55	10 x M16	200	24 mm	100 - 140 Nm
500	497 - 532	10	10900227	127	190	670	620	56	10 x M16	200	24 mm	100 - 140 Nm
500	497 - 532	16	10900228	127	190	715	650	68	10 x M16	200	24 mm	100 - 140 Nm
500	533 - 568	10	10900229	127	190	670	620	56	10 x M16	200	24 mm	100 - 140 Nm
500	533 - 568	16	10900230	127	190	715	650	65	10 x M16	200	24 mm	100 - 140 Nm
600	625 - 660	10	10900233	130	200	780	725	73	10 x M16	200	24 mm	100 - 140 Nm
600	625 - 660	16	10900234	130	200	840	770	93	10 x M16	200	24 mm	100 - 140 Nm
700	710 - 745	10	10900239	160	200	895	840	121	12 x M16	250	24 mm	100 - 140 Nm
700	710 - 745	16	10900240	160	200	910	840	125	12 x M16	250	24 mm	100 - 140 Nm
800	810 - 845	10	10900241	160	200	1015	950	140	12 x M16	250	24 mm	100 - 140 Nm
800	810 - 845	16	10900242	160	200	1025	950	144	12 x M16	250	24 mm	100 - 140 Nm
900	934 - 975	10	10900235	160	200	1115	1050	-	14 x M20	260	30 mm	160 - 200 Nm
900	934 - 975	16	10900236	160	200	1125	1050	182	14 x M20	260	30 mm	160 - 200 Nm
1000	1034 - 1075	10	10900243	160	200	1230	1160	221	14 x M20	260	30 mm	160 - 200 Nm
1000	1034 - 1075	16	10900244	160	200	1255	1170	-	14 x M20	260	30 mm	160 - 200 Nm
1200	1219 - 1260	10	10900245	160	200	1455	1380	264	16 x M20	260	30 mm	160 - 200 Nm
1200	1219 - 1260	16	10900246	160	200	1485	1390	340	16 x M20	260	30 mm	160 - 200 Nm

Table of tolerances and pipes on next page



**Fucoli Somepal**  
FUNDAÇÃO DE FERRO, S. A.

Visit our website at [www.fucoli-somepal.pt](http://www.fucoli-somepal.pt)

Head office: Estrada de Coselhas, 3000-125 Coimbra – Portugal | Tel.: (+351) 239 490100 | Fax: (+351) 239 490198

Branch office: Rua de Aveiro 50, 3050-420 Pampilhosa – Portugal | Tel.: (+351) 239 490100 | Fax: (+351) 231 949292 | [comercial@fucoli-somepal.pt](mailto:comercial@fucoli-somepal.pt)



# TABLE OF TOLERANCES AND PIPES



DN	Tolerances D min. - max. mm - mm	code		Pipes									
		PN10	PN16	PVC	Ductile iron		Steel	Asbestos cement					
				ø ext. pipe mm	DN	ø ext. pipe mm	ø ext. pipe mm	DN	Class 6	Class 12	Class 18	Class 24	Class 30
40	25 - 55	10900200	10900200	25 32 50	-	-	42.4 48.3	-	-	-	-	-	-
50	39 - 69	10900201	10900201	50 63	40 50	56 66	42.4 48.3 60.3	50	66	66	66	66	66
50	46 - 76	10900202	10900202	63 75	40 50	56 66	48.3 60.3	50 60	66 76	66 76	66 76	66 76	66 -
60/65	57 - 87	10900203	10900203	63 75	50 60 65	66 77 82	60.3 76.1	50 60	66 76	66 76	66 76	66 76	66 78
80	78 - 108	10900204	10900204	90	65 80	82 98	88.9 101.6	60 80	- 96	- 96	- 96	- 98	78 104
80/100	87 - 117	10900209	10900209	90 110	80	98	88.9 101.6 114.3	80 100	96 116	96 116	96 -	98 -	104 -
100	87 - 117	10900205	10900205	90 110	80	98	88.9 101.6 114.3	80 100	96 116	96 116	96 -	98 -	104 -
100	100 - 130	10900206	10900206	110 125	100	118	101.6 114.3	80 100	- 116	- 116	- 118	- 122	104 128
100	108 - 138	10900211	10900211	110 125	100	118	114.3	100	116	116	118	122	128
125	117 - 147	10900207	10900207	125 140	100 125	118 144	139.7	100 125	- 141	- 141	118 145	122 -	128 -
125/150	129 - 159	10900208	10900208	140	125	144	139.7	125	141	141	145	151	157
150	152 - 182	10900210	10900210	160 180	150	170	168.3 177.8	125 150	- 168	- 168	- 174	- 180	157 -
200	186 - 216	10900212	10900212	200	-	-	193.7	150	-	-	-	-	188
200	198 - 228	10900213	10900213	200 225	200	222	219.1	200	220	222	228	-	-
250	245 - 280	10900215	10900215	250 280	250	274	273	200 250	- 272	- 276	- -	- -	250 -
250	266 - 301	10900216	10900216	280	250	274	273	250	272	276	282	294	-
300	314 - 349	10900217	10900217	315	300	326	323.9	300	324	330	338	-	-
350	343 - 378	10900218	10900218	355	350	378	355.6	300 350	- 376	- -	- -	352 -	366 -
350	375 - 410	10900219	10900219	400	350	378	406.4	350	376	384	396	410	-
400	396 - 431	10900221	10900221	400	400	429	406.4	350 400	- 428	- -	- -	- -	426 -
400	420 - 455	10900223	10900223	-	400	429	-	400	-	438	452	-	-
450	457 - 492	10900225	10900225	-	450	480	457.0	400 450	- 482	- 492	- -	470 -	488 -
500	497 - 532	10900227	10900227	500	500	532	508	450	-	-	512	532	-
500	533 - 568	10900229	10900229	560	-	-	559	500	536	548	568	-	-
600	625 - 660	10900233	10900233	630	600	635	660	600	644	660	-	-	-
700	710 - 745	10900239	10900239	710	700	738	711.0	600	-	-	-	-	714
800	810 - 845	10900241	10900241	-	800	842	813.0	700	-	-	-	-	828
900	934 - 975	10900235	10900235	-	900	945	-	800 900	- 960	- -	- -	- -	946 -
1000	1034 - 1075	10900243	10900243	-	1000	1048	1067.0	900 1000	- -	- -	- -	1050 1066	-
1200	1219 - 1260	10900245	10900245	-	1200	1255	1219.0	-	-	-	-	-	-

