

## STAINLESS STEEL INSERT FOR PE PIPES 63 - 500

15.400



### Product description

- Insert: stainless steel AISI304 for PE pipe

### Features

- Stainless steel inserts are used to reinforce PE and uPVC pipes from the inside to allow the use of compression couplings
- The inserts are designed to reinforce pipe ends by providing inside support for PE or PVC pipes when pipe couplings or flange adaptors are used for the connection of these pipes
- The inserts are supplied with a wedge to overcome the tolerances in the plastic pipes
- Its thin wall construction will not disturb the flow characteristics of the medium
- On request possibility of Insert in stainless steel AISI 316L
- Consult our technical services for other dimension.



100% MADE IN EUROPE



**Fucoli Somepal**  
FUNDAÇÃO DE FERRO, S. A.

Visit our website at [www.fucoli-somepal.pt](http://www.fucoli-somepal.pt)

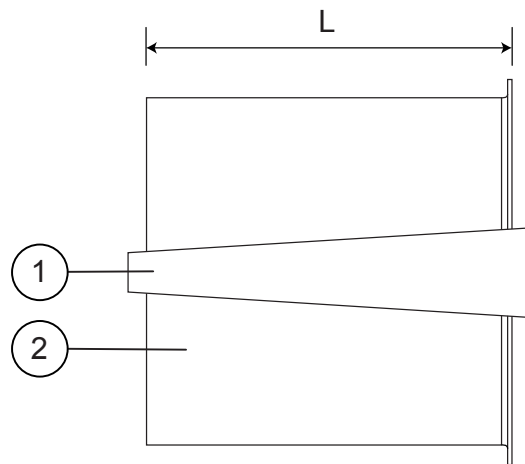
**Head office:** Estrada de Coselhas, 3000-125 Coimbra – Portugal | Tel.: (+351) 239 490100 | Fax: (+351) 239 490198

**Branch office:** Rua de Aveiro 50, 3050-420 Pampilhosa – Portugal | Tel.: (+351) 239 490100 | Fax: (+351) 231 949292 | [comercial@fucoli-somepal.pt](mailto:comercial@fucoli-somepal.pt)

# STAINLESS STEEL INSERT FOR PE PIPES

## 63 - 500

15.400



### Component list

| pos. | components | material                 | standard   |
|------|------------|--------------------------|------------|
| 1    | Wedge      | Stainless steel AISI 304 | EN 10088-1 |
| 2    | Insert     | Stainless steel AISI 304 | EN 10088-1 |

### Reference and dimensions

| code     | PE<br>ø ext. | SDR       | PE<br>thickness | L<br>mm |
|----------|--------------|-----------|-----------------|---------|
| 10801400 | 63           | 17.6      | 3.6             | 175     |
| 10801402 | 63           | 11        | 5.8 / 5.1       | 175     |
| 10801404 | 63           | 7.4       | 8.6             | 175     |
| 10801406 | 75           | 17.6      | 4.3             | 175     |
| 10801408 | 75           | 11        | 6.8 / 6.5       | 175     |
| 10801410 | 75           | 7.4       | 10.3            | 175     |
| 10801412 | 90           | 41        | 2.7 / 2.2       | 175     |
| 10801414 | 90           | 17 / 17.6 | 5.4 / 5.1       | 175     |
| 10801416 | 90           | 11        | 8.2 / 7.8       | 175     |
| 10801418 | 90           | 7         | 12.3            | 175     |
| 10801420 | 110          | 17 / 17.6 | 6.6 / 6.3       | 175     |
| 10801422 | 110          | 11        | 10.0 / 9.5      | 175     |
| 10801424 | 110          | 7.4       | 15.1            | 175     |
| 10801426 | 125          | 41        | 3.7 / 3.1       | 175     |
| 10801428 | 125          | 17 / 17.6 | 7.4 / 7.1       | 175     |
| 10801430 | 125          | 11        | 11.4            | 175     |
| 10801432 | 140          | 17.6      | 8               | 175     |
| 10801434 | 140          | 11        | 12.8            | 175     |
| 10801436 | 160          | 41        | 4.5             | 200     |
| 10801438 | 160          | 17 / 17.6 | 9.5 / 9.1       | 200     |
| 10801440 | 160          | 11        | 14.6            | 200     |
| 10801442 | 180          | 17 / 17.6 | 10.7 / 10.2     | 200     |
| 10801444 | 180          | 11        | 16.4            | 200     |
| 10801446 | 200          | 17 / 17.6 | 11.9 / 11.4     | 200     |
| 10801448 | 200          | 11        | 18.2            | 200     |
| 10801450 | 225          | 41        | 6.3 / 5.5       | 225     |
| 10801452 | 225          | 17 / 17.6 | 13.4 / 12.8     | 225     |
| 10801454 | 225          | 11        | 20.2 / 20.5     | 225     |

| code     | PE<br>ø ext. | SDR       | PE<br>thickness | L<br>mm |
|----------|--------------|-----------|-----------------|---------|
| 10801456 | 250          | 17 / 17.6 | 14.8 / 14.2     | 225     |
| 10801458 | 250          | 11        | 22.7            | 225     |
| 10801459 | 250          | 26        | 9.6             | 225     |
| 10801460 | 280          | 33        | 8.7             | 225     |
| 10801462 | 280          | 17 / 17.6 | 16.6 / 15.9     | 225     |
| 10801464 | 280          | 11        | 25.4            | 225     |
| 10801466 | 315          | 33        | 9.2             | 225     |
| 10801468 | 315          | 26        | 12.4            | 225     |
| 10801470 | 315          | 17.6      | 17.9            | 225     |
| 10801472 | 315          | 17        | 18.7            | 225     |
| 10801471 | 315          | 11        | 28.6            | 225     |
| 10801474 | 355          | 17.6      | 20.1            | 225     |
| 10801476 | 355          | 11        | 32.3            | 225     |
| 10801478 | 355          | 10        | 35.0            | 225     |
| 10801480 | 355          | 9         | 40.0            | 225     |
| 10801482 | 400          | 34        | 11.7            | 225     |
| 10801484 | 400          | 26        | 15.3            | 225     |
| 10801485 | 400          | 21        | 19.1            | 225     |
| 10801488 | 400          | 17 / 17.6 | 22.7 / 23.7     | 225     |
| 10801489 | 500          | 26        | 19.1            | 225     |
| 10801491 | 500          | 21        | 23.9            | 225     |
| 10801492 | 500          | 17.6      | 28.3            | 225     |
| 10801494 | 500          | 17        | 30.0            | 225     |



**Fucoli Somepal**  
FUNDAÇÃO DE FERRO, S. N.

Visit our website at [www.fucoli-somepal.pt](http://www.fucoli-somepal.pt)

Head office: Estrada de Coselhas, 3000-125 Coimbra – Portugal | Tel.: (+351) 239 490100 | Fax: (+351) 239 490198

Branch office: Rua de Aveiro 50, 3050-420 Pampilhosa – Portugal | Tel.: (+351) 239 490100 | Fax: (+351) 231 949292 | [comercial@fucoli-somepal.pt](mailto:comercial@fucoli-somepal.pt)



100% MADE IN EUROPE