

# BALANCED FLOAT VALVE

## with lever and float

### DN 40 - 250 PN10/16

04.200



#### Product description

- Balanced float valve for drinking water and neutral liquids
- Service temperature from 0°C (excluding frost) to 70°C

#### Standards

- Flange drilling to EN 1092-2 PN10/16

#### Tests

All valves are individually hydrostatically tested according to EN 1074-1/2 and EN 12266:

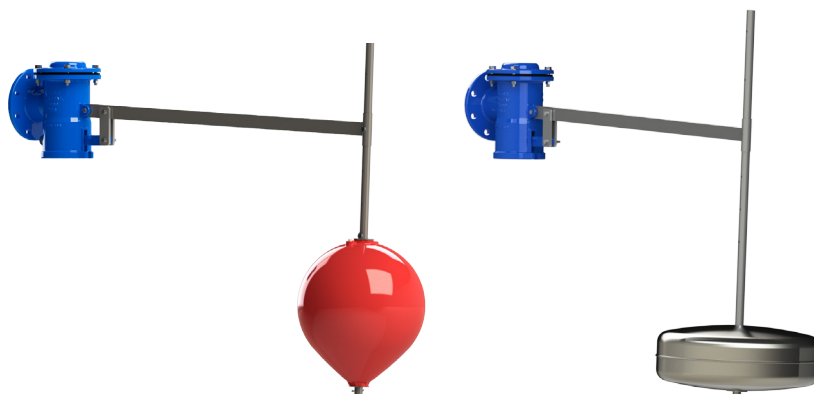
- Seal 1.1 x PN (in bar); Body: 1.5 x PN (in bar)

#### Corrosion protection

- Epoxy powder coating RAL 5005
- Applied internal and external with a minimum coating thickness of 250 µm
- Potable water approved epoxy coating, fusion bonded according DIN 3476-1, EN 14901 and GSK approved

#### Features

- Control of the level of closure in reservoirs and storage tanks: for drinking water distribution networks, fire protection networks, irrigation networks or in high-rise buildings
- Body, bonnet and interior components in ductile cast iron (EN-GJS-500-7)
- Balanced float valve available with float in PVC or in stainless steel
- The balanced right-angle design ensures smooth and reliable operation
- Vertical floating position adjustable
- A balanced design of high-resistance diaphragm with direct float and lever action compensates for 90% of the pressure effect on the main valve, with no risk of friction or adhesion
- The slight remaining pressure tending to open the valve 10%, prevents vibrations and dampens the effects of fast operations
- The high gear ratio of the lever control arm results in the device being highly insensitive to oscillations on the water surface
- The device is simple, robust and requires no adjustment.



100% MADE IN EUROPE



**Fucoli Somepal**  
FUNDAÇÃO DE FERRO, S. A.

Visit our website at [www.fucoli-somepal.pt](http://www.fucoli-somepal.pt)

Head office: Estrada de Coselhas, 3000-125 Coimbra – Portugal | Tel.: (+351) 239 490100 | Fax: (+351) 239 490198

Branch office: Rua de Aveiro 50, 3050-420 Pampilhosa – Portugal | Tel.: (+351) 239 490100 | Fax: (+351) 231 949292 | [comercial@fucoli-somepal.pt](mailto:comercial@fucoli-somepal.pt)

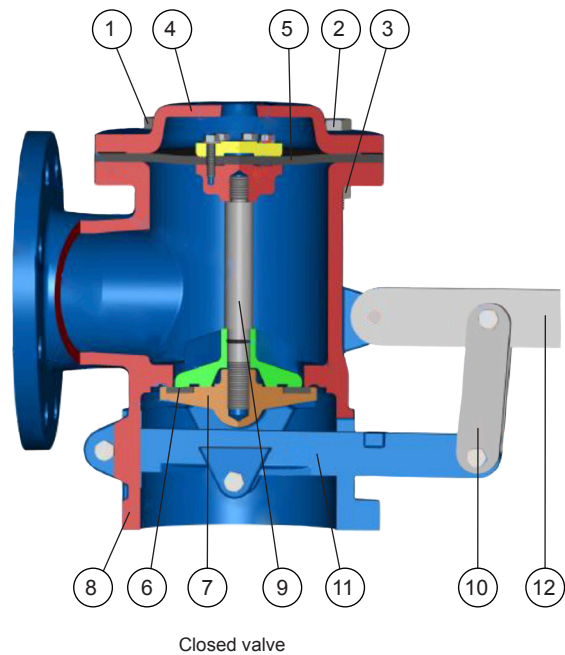
Ed.8 Rev. 1  
09-2021

Being one of the main objectives of our company the development and satisfaction of our customers, we reserve the right to update, change or replace the specifications presented without prior notice

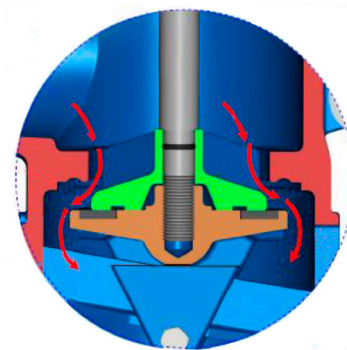
# BALANCED FLOAT VALVE

with lever and float  
DN 40 - 250 PN10/16

04.200



Closed valve

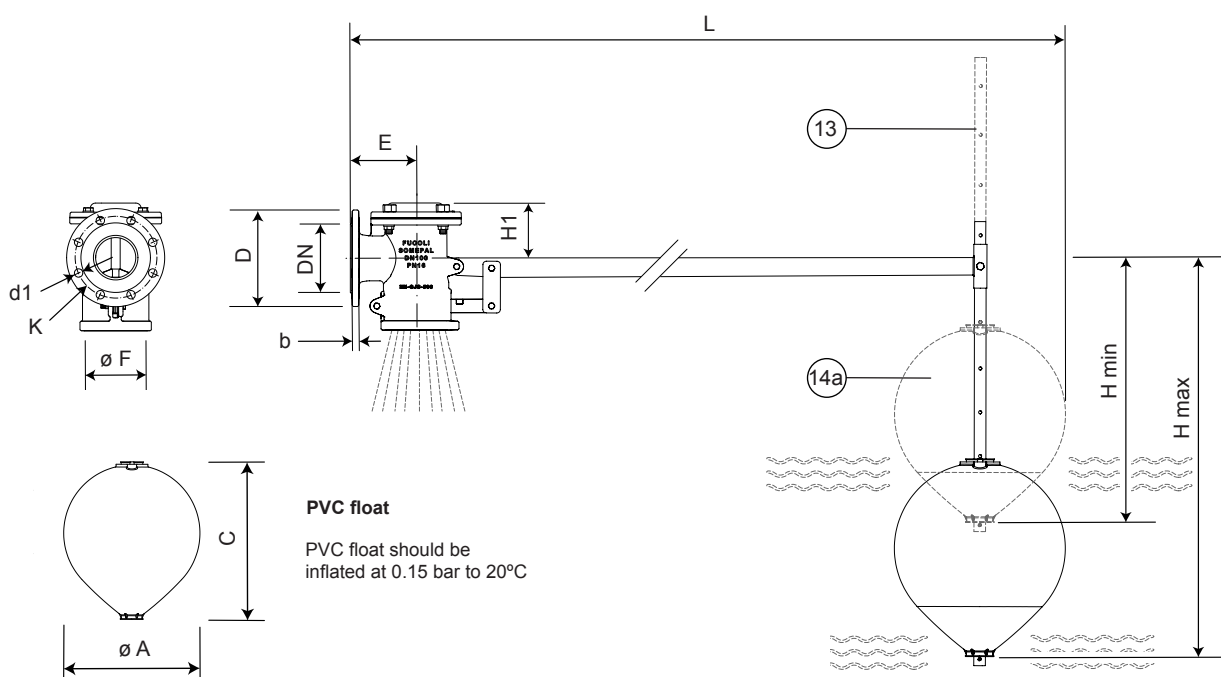


Open valve

## Component list

pos.	components	material	standard	pos.	components	material	standard
1	Bolts	Stainless steel A2	EN 10088 - 1	9	Shaft	Stainless steel AISI 420	EN 10088 - 1
2	Washer	Stainless steel A2	EN 10088 - 1	10	Middle bar	Stainless steel AISI 304	EN 10088 - 1
3	Nuts	Stainless steel A2	EN 10088 - 1	11	Control arm	Ductile iron EN-GJS-500-7	EN 1563
4	Bonnet	Ductile iron EN-GJS-500-7	EN 1563	12	Float shaft	Stainless steel AISI 304	EN 10088 - 1
5	Membrane	Elastomer EPDM	EN 681 - 1	13	Refining arm	Stainless steel AISI 304	EN 10088 - 1
6	Sealing ring	Elastomer EPDM	EN 681 - 1	14a	Float	Polyvinyl chloride (PVC)	
7	Obturator	Ductile iron EN-GJS-500-7	EN 1563	14b	Float	Stainless steel AISI 316	EN 10088 - 1
8	Body	Ductile iron EN-GJS-500-7	EN 1563				

## Balanced float valve with lever and PVC float



continued on next page

All the drawing, technical data, dimensions and weights are not binding. Subject to change. The components may be replaced by equivalent or higher materials without prior notice.

Ed.8 Rev. 1 2/3

# BALANCED FLOAT VALVE

## with lever and float

### DN 40 - 250 PN10/16

04.200

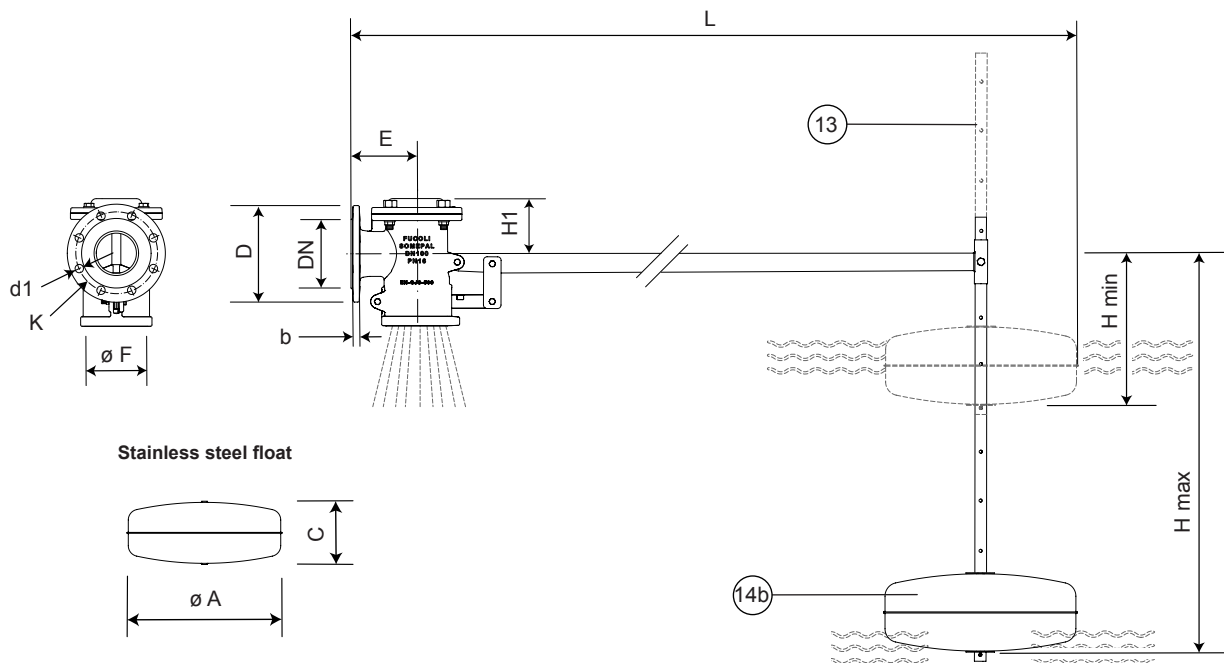


continued from previous page

### Reference and dimensions

DN	PN	code	D	L	E	ø F	H min	H max	H1	K	n° x d1	b	ø A	C	Kg
			mm	mm	mm	mm	mm	mm	mm	mm	mm	mm	mm	mm	approx.
40	10/16	10767090	165	1410	136	106	575	1120	108	110	4 x 19	19	400	450	19
50	10/16	10767100	165	1410	136	106	575	1120	108	125	4 x 19	19	400	450	19
60	10/16	10767110	175	1410	136	106	575	1120	108	135	4 x 19	19	400	450	20
65	10/16	10767025	185	1410	136	106	575	1120	108	145	4 x 19	19	400	450	20
80	10/16	10767120	200	1635	128	135	585	1130	128	160	8 x 19	19	400	450	27
100	10/16	10767130	220	1635	128	135	585	1130	128	180	8 x 19	19	400	450	28
125	10/16	10767140	250	2215	150	204	595	1140	159	210	8 x 19	19	500	550	48
150	10/16	10767150	285	2215	150	204	595	1140	159	240	8 x 23	19	500	550	48
200	10	10767070	340	2620	184	295	595	1140	204	295	8 x 23	20	500	550	90
200	16	10767160	340	2620	184	295	595	1140	204	295	12 x 23	20	500	550	90
250	10	10767080	400	2620	273	295	595	1140	204	350	12 x 23	22	500	550	97
250	16	10767170	400	2620	273	295	595	1140	204	355	12 x 28	22	500	550	100

### Balanced float valve with lever and stainless steel float



### Reference and dimensions

DN	PN	code	D	L	E	ø F	H min	H max	H1	K	n° x d1	b	ø A	C	Kg
			mm	mm	mm	mm	mm	mm	mm	mm	mm	mm	mm	mm	approx.
40	10/16	10767500	165	1415	136	106	695	1335	108	110	4 x 19	19	409	175	19
50	10/16	10767505	165	1415	136	106	695	1335	108	125	4 x 19	19	409	175	19
60	10/16	10767510	175	1415	136	106	695	1335	108	135	4 x 19	19	409	175	20
65	10/16	10767515	185	1415	136	106	695	1335	108	145	4 x 19	19	409	175	20
80	10/16	10767520	200	1689	128	135	730	1370	128	160	8 x 19	19	508	210	27
100	10/16	10767525	220	1689	128	135	730	1370	128	180	8 x 19	19	508	210	28
125	10/16	10767530	250	2165	150	204	595	1140	159	210	8 x 19	19	400	400	51
150	10/16	10767535	285	2165	150	204	595	1140	159	240	8 x 23	19	400	400	51
200	10	10767540	340	2620	184	295	595	1140	204	295	8 x 23	20	500	400	96
200	16	10767545	340	2620	184	295	595	1140	204	295	12 x 23	20	500	400	96
250	10	10767550	400	2620	273	295	595	1140	204	350	12 x 23	22	500	400	103
250	16	10767555	400	2620	273	295	595	1140	204	355	12 x 28	22	500	400	106



**Fucoli Somepal**  
FUNDIÇÃO DE FERRO, S. A.

Visit our website at [www.fucoli-somepal.pt](http://www.fucoli-somepal.pt)

Head office: Estrada de Coselhas, 3000-125 Coimbra – Portugal | Tel.: (+351) 239 490100 | Fax: (+351) 239 490198

Branch office: Rua de Aveiro 50, 3050-420 Pampilhosa – Portugal | Tel.: (+351) 239 490100 | Fax: (+351) 231 949292 | [comercial@fucoli-somepal.pt](mailto:comercial@fucoli-somepal.pt)



100% MADE IN EUROPE