

FLANGED SOFT SEALING GATE VALVE S15 3000

with gearbox

DN 40 - 300 PN25

01.204GK



Product description

- Flanged soft sealing gate valve series 3000 with Auma multi-turn gearbox, for drinking water and neutral liquids
- Service temperature from 0°C (excluding frost) to 70°C

Standards

- Designed according to EN 1074 parte 1 & 2 and EN 1171
- Flange drilling to EN 1092-2 PN25
- Face-to-face according to EN 558 serie 15
- ISO top flange according to ISO 5210
- Auma multi-turn gearbox according to ISO 22153

Tests

All valves are individually hydrostatically tested according to EN 1074-1/2 and EN 12266-1:

- Seal 1.1 x PN (in bar); Body: 1.5 x PN (in bar)

Corrosion protection

- Epoxy powder coating RAL 5005
- Applied internal and external with a minimum coating thickness of 250 µm
- Potable water approved epoxy coating, fusion bonded according DIN 3476-1, EN 14901-1 and GSK approved

Approvals

- ACS Potability Certificate 26 ACC NY 096
- GSK Epoxy Coating Certificate GSK-ID:1247 (RAL-GZ 662)

Features

- Isolation valve approved for drinking water
- Full bore
- The valves from DN 250 to DN 300 are equipped with an axial bearing to ensure reduced operating torque
- Stainless steel stem with rolled threads produced by cold rolling process, which keeps the steel structure and increase its mechanical resistance
- Stem sealing system with 4 O-rings in EPDM
- O-ring stem sealing exchangeable under pressure
- Wedge fully vulcanized with drinking water approved EPDM
- Top of the wedge conceived with "soft stop" system, which acts as an end stop for the fully open valve
- Wedge with brass nut fixed in the wedge core preventing vibration and ensure a long life span
- Wedge and body designed with "monorail" system
- Round EPDM bonnet gasket fixed in a recess, surrounding the bolts, ensuring a perfect seal
- Body/bonnet bolts in stainless steel A2 encased and sealed ensuring full corrosion protection
- Multi-turn Auma GK IP68
- On request possibility of stem in stainless steel AISI 316L, NBR sealings and wedge nut in different brass alloys.



Fucoli-Somepal
FUNDAÇÃO DE FERRO, S. A.

Visit our website at www.fucoli-somepal.pt

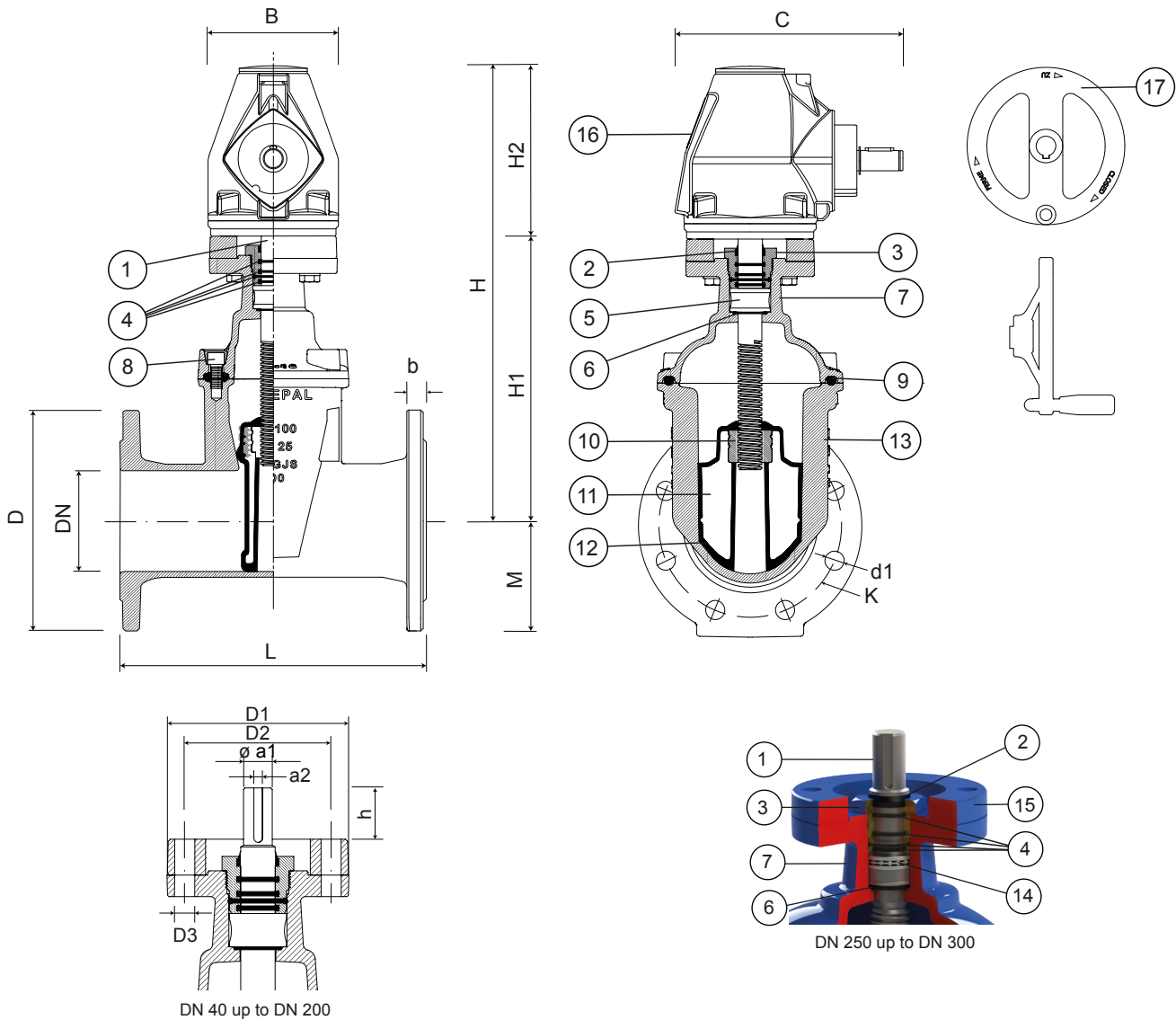
Head office: Estrada de Coselhas, 3000-125 Coimbra – Portugal | Tel.: (+351) 239 490100

Branch office: Rua de Aveiro 50, 3050-420 Pampilhosa – Portugal | Tel.: (+351) 239 490100 | comercial@fucoli-somepal.pt

FLANGED SOFT SEALING GATE VALVE S14 3000

with gearbox
DN 40 - 300 PN25

01.204GK



Component list

pos	components	material	standard	pos	components	material	standard
1	Stem	Stainless steel AISI 420	EN 10088-1	10	Wedge nut	Brass DZR CW602N	EN 12164
2	Clearing joint	Elastomer	-	11	Wedge	Ductile iron EN-GJS-500-7	EN 1563
3a	Gland	Brass DZR CW602N	EN 12164	12	Wedge covering	Elastomer EPDM	EN 681-1
4	O-rings	Elastomer EPDM	EN 681-1	13	Body	Ductile iron EN-GJS-500-7	EN 1563
5	Stem washer	Brass DZR CW602N	EN 12164	14	Bearing	Steel	ISO 20516
6	O-ring	Elastomer EPDM	EN 681-1	15	Mounting flange	Ductile iron EN-GJS-500-7	EN 1563
7	Bonnet	Ductile iron EN-GJS-500-7	EN 1563	16	Multi-turn gearbox	-	-
8	Bolts	Stainless steel A2	EN 10088-1	17	Handwheel	Printed steel ST W24	EN 10111 and 10130
9	Bonnet gasket	Elastomer EPDM	EN 681-1				

continued on next page

All the drawing, technical data, dimensions and weights are not binding. Subject to change. The components may be replaced by equivalent or higher materials without prior notice.

Ed.8 Rev. 6 2/3

FLANGED SOFT SEALING GATE VALVE S15 3000

with gearbox

DN 40 - 300 PN25

01.204GK



continued from previous page

Reference and dimensions

DN	PN	código	D mm	L mm	H mm	H1 mm	M mm	K mm	n° x d1 mm	b mm	ISO 5210 flange	AUMA gearbox	h mm	B mm	C mm	Ø D1 mm	H2 mm	Kg aprox.
40	25	10731010GK	150	240	347	177	75	110	4 x 19	19	F10	GK 10.2	30	130	105	160	170	20
50	25	10731020GK	165	250	378	208	83	125	4 x 19	19	F10	GK 10.2	30	130	105	160	170	22
60	25	10731030GK	175	270	387	217	88	135	8 x 19	19	F10	GK 10.2	33	130	105	160	170	27
65	25	10731040GK	185	270	387	217	93	145	8 x 19	19	F10	GK 10.2	33	130	105	160	170	27
80	25	10731050GK	200	280	425	253	100	160	8 x 19	19	F10	GK 10.2	33	130	105	160	170	31
100	25	10731060GK	235	300	456	286	110	190	8 x 23	19	F10	GK 10.2	39	130	105	200	170	36
125	25	10731070GK	270	325	493	323	125	220	8 x 28	19	F10	GK 10.2	39	130	105	200	170	44
150	25	10731080GK	300	350	572	384	143	250	8 x 28	20	F14	GK 14.2	41	180	105/123	315	188	63
200	25	10731090GK	360	400	647	459	180	310	12 x 28	22	F14	GK 14.2	46	180	105/123	315	188	84
250	25	10731100GK	425	450	733	545	213	370	12 x 31	24.5	F14	GK 14.2	50	180	105/123	315	188	114
300	25	10731110GK	485	500	803	615	243	430	16 x 31	27.5	F14	GK 14.2	50	180	105/123	315	188	184

AUMA gearbox	ISO 5210 flange	B mm	C mm	D1 mm	D2 mm	n° x D3 mm	ø a1 mm	ø a2 mm	ø hanwheel
GK 10.2	F10	130	105	125	102	4 x 12	20	6	200 315
GK 14.2	F14	180	105/123	175	140	4 x 18	30	8	200 315

For more information on the Auma multi-turn gearbox consult the manufacturer's technical documentation.