

FLANGED SOFT SEALING GATE VALVE S14 3000

DN 40 - 500 PN10/16

01.101



Product description

- Flanged soft sealing gate valve series 3000 for drinking water and neutral liquids
- Service temperature from 0°C (excluding frost) to 70°C

Standards

- Designed according to EN 1074 part 1 & 2 and EN 1171
- Flange drilling to EN 1092-2 PN10/16
- Face-to-face according to EN 558 series 14

Tests

All valves are individually hydrostatically tested according to EN 1074-1/2 and EN 12266:

- Seal 1.1 x PN (in bar); Body: 1.5 x PN (in bar). Operation torque test

Corrosion protection

- Epoxy powder coating RAL 5005
- Applied internal and external with a minimum coating thickness of 250 µm
- Potable water approved epoxy coating, fusion bonded according to DIN 3476-1, EN 14901 and GSK approved

Approvals

- Certified according to EN 1074-1/2: KIWA Certificate K76981/01 and AENOR Certificate B18/000002
- ACS Potability Certificate 15 ACC NY 005
- GSK Epoxy Coating Certificate GSK-ID:1247 (RAL-GZ 662)

Features

- Isolation valve approved for drinking water
- Full bore
- Low operating torque
- The valves from DN 250 to DN 300 are equipped with an axial bearing, from DN 350 to DN 500 are equipped with two thrust bearings to ensure reduced operating torque
- Stainless steel stem with rolled threads produced by cold rolling process, which keeps the steel structure and increase its mechanical resistance
- Stem sealing system with 4 O-rings in EPDM
- O-ring stem sealing exchangeable under pressure
- Wedge fully vulcanized with drinking water approved EPDM
- Top of the wedge conceived with “soft stop” system, which acts as an end stop for the fully open valve
- Wedge with brass nut fixed in the wedge core preventing vibration and ensure a long life span
- Wedge and body designed with “monorail” system
- Round EPDM bonnet gasket fixed in a recess, surrounding the bolts, ensuring a perfect seal
- Body/bonnet bolts in stainless steel A2 encased and sealed ensuring full corrosion protection
- Accessories: handwheel [ref.05.100], stem cap [ref. 05.200], extension spindle [ref. 05.300] and surface box [ref. 05.500]
- On request possibility of stem in stainless steel AISI 316L, NBR sealings and wedge nut in different brass grades.



Fucoli Somepal
FUNDAÇÃO DE FERRO, S. A.

Visit our website at www.fucoli-somepal.pt

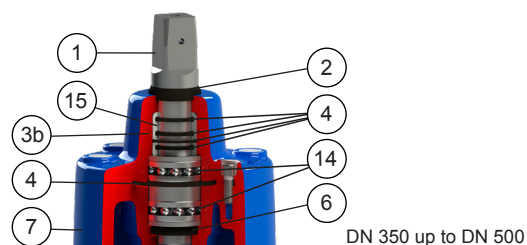
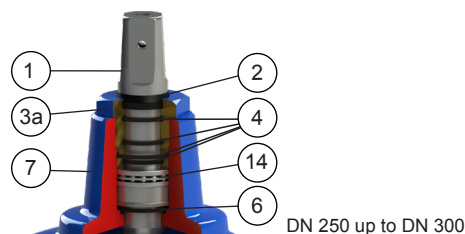
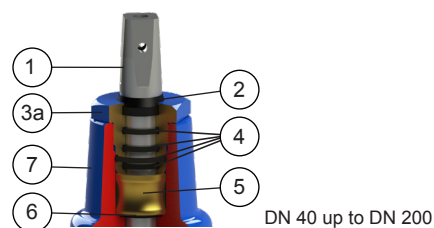
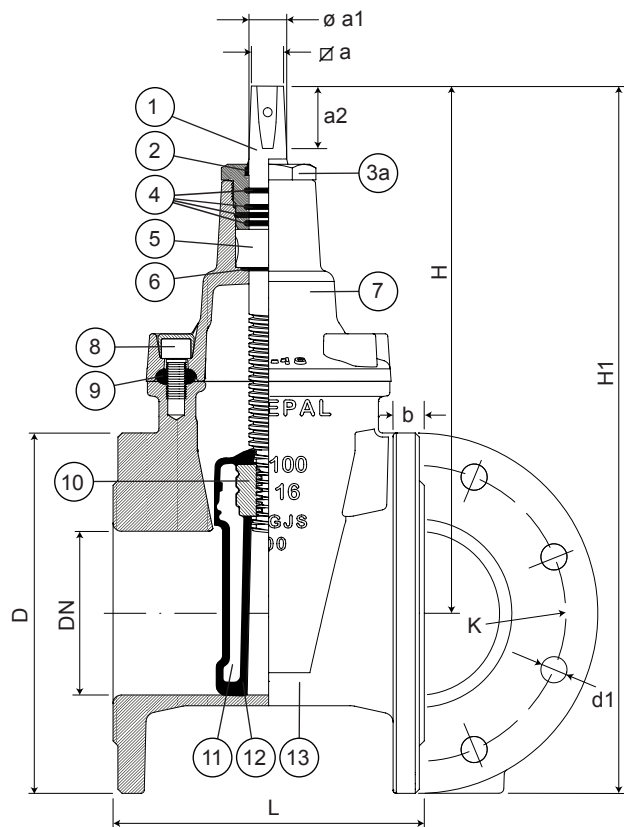
Head office: Estrada de Coselhas, 3000-125 Coimbra – Portugal | Tel.: (+351) 239 490100 | Fax: (+351) 239 490198

Branch office: Rua de Aveiro 50, 3050-420 Pampilhosa – Portugal | Tel.: (+351) 239 490100 | Fax: (+351) 231 949292 | comercial@fucoli-somepal.pt

FLANGED SOFT SEALING GATE VALVE S14 3000

DN 40 - 500 PN10/16

01.101



Component list

pos.	components	material	standard
1	Stem	Stainless steel AISI 420	EN 10088 - 1
2	Clearing joint	Elastomer	
3a	Gland	Brass CW614N	EN 12164
3b	Gland	Ductile iron EN-GJS-500-7	EN 1563
4	O-rings	Elastomer EPDM	EN 681 - 1
5	Stem washer	Brass CW603N	EN 12164
6	O-ring	Elastomer EPDM	EN 681 - 1
7	Bonnet	Ductile iron EN-GJS-500-7	EN 1563

pos.	components	material	standard
8	Bolts	Stainless steel A2	EN 10088 - 1
9	Bonnet gasket	Elastomer EPDM	EN 681 - 1
10	Wedge nut	Brass CW603N	EN 12164
11	Wedge	Ductile iron EN-GJS-500-7	EN 1563
12	Wedge covering	Elastomer EPDM	EN 681 - 1
13	Body	Ductile iron EN-GJS-500-7	EN 1563
14	Bearing	Steel	ISO 20516
15	Gland bush	POM	

Reference and dimensions

DN	PN	code	D	L	H	H1	K	n° x d1	b	$\varnothing a$	$\varnothing a1$	a2	turns to open	Kg approx.
			mm	mm	mm	mm	mm	mm	mm	mm	mm	mm		
40	10/16	10725014	150	140	203	278	110	4 x 19	19	14.1	20	29	10	8
50	10/16	10725024	165	150	235	318	125	4 x 19	19	14.1	20	29	13	10
60	10/16	10725034	175	170	250	338	135	4 x 19	19	17.1	22	34	13	12
65	10/16	10725044	185	170	250	343	145	4 x 19	19	17.1	22	34	13	12
80	10/16	10725054	200	180	290	390	160	8 x 19	19	17.1	22	34	16	17
100	10/16	10725064	220	190	325	435	180	8 x 19	19	19.1	24	38	20	20
125	10/16	10725074	250	200	362	487	210	8 x 19	19	19.1	26	38	25	24
150	10/16	10725084	285	210	425	568	240	8 x 23	19	19.1	28	38	30	35
200	10	10725094	340	230	505	675	295	8 x 23	20	24.1	32	42	34	50
200	16	10725104	340	230	505	675	295	12 x 23	20	24.1	32	42	34	50
250	10	10725114	400	250	595	795	350	12 x 23	22	27.1	36	47	42	72
250	16	10725124	400	250	595	795	355	12 x 28	22	27.1	36	47	42	72
300	10	10725134	455	270	670	898	400	12 x 23	24.5	27.1	36	47	50	105
300	16	10725144	455	270	670	898	410	12 x 28	24.5	27.1	36	47	50	105
350	10	10725154	505	290	940	1193	460	16 x 23	24.5	32.1	45	55	67	226

continued on next page

FLANGED SOFT SEALING GATE VALVE S14 3000

DN 40 - 500 PN10/16

01.101



continued from previous page

DN	PN	code	D mm	L mm	H mm	H1 mm	K mm	n° x d1 mm	b mm	∅a mm	∅ a1 mm	a2 mm	turns to open	Kg approx.
350	16	10725164	520	290	940	1200	470	16 x 28	26.5	32.1	45	55	67	227
400	10	10725174	565	310	940	1223	515	16 x 28	24.5	32.1	45	55	67	251
400	16	10725184	580	310	940	1230	525	16 x 31	28	32.1	45	55	67	261
450	10	10725194	615	330	1120	1428	565	20 x 28	25.5	32.1	50	55	71	397
450	16	10725204	640	330	1120	1440	585	20 x 31	30	32.1	50	55	71	415
500	10	10725214	670	350	1120	1455	620	20 x 28	26.5	32.1	50	55	71	427
500	16	10725224	715	350	1120	1478	650	20 x 34	31.5	32.1	50	55	71	428



Fucoli Somepal
FUNDAÇÃO DE FERRO, S.A.

Visit our website at www.fucoli-somepal.pt

Head office: Estrada de Coselhas, 3000-125 Coimbra – Portugal | Tel.: (+351) 239 490100 | Fax: (+351) 239 490198

Branch office: Rua de Aveiro 50, 3050-420 Pampilhosa – Portugal | Tel.: (+351) 239 490100 | Fax: (+351) 231 949292 | comercial@fucoli-somepal.pt

