

FLANGED SOFT SEALING GATE VALVE S14 3000

with open/close indicator
DN 40 - 600 PN10/16

01.600



Product description

- Flanged soft sealing gate valve series 3000 with open/close indicator for drinking water and neutral liquids
- Service temperature from 0°C (excluding frost) to 70°C

Standards

- Designed according to EN 1074 part 1 & 2 and EN 1171
- Flange drilling to EN 1092-2 PN10/16
- Face-to-face according to EN 558 series 14

Tests

All valves are individually hydrostatically tested according to EN 1074-1/2 and EN 12266:

- Seal 1.1 x PN (in bar); Body: 1.5 x PN (in bar). Operation torque test

Corrosion protection

- Epoxy powder coating RAL 5005
- Applied internal and external with a minimum coating thickness of 250 µm
- Potable water approved epoxy coating, fusion bonded according to DIN 3476-1, EN 14901 and GSK approved

Approvals

- ACS Potability Certificate 15 ACC NY 005
- GSK Certificate GSK-ID:1247 (RAL-GZ 662)

Features

- Isolation valve approved for drinking water
- Full bore
- Low operating torque
- The valves from DN 250 to DN 300 are equipped with an axial bearing, from DN 350 to DN 600 are equipped with two thrust bearings to ensure reduced operating torque
- Stainless steel stem with rolled threads produced by cold rolling process, which keeps the steel structure and increase its mechanical resistance
- Stem sealing system with 4 O-rings in EPDM
- O-ring stem sealing exchangeable under pressure
- Wedge fully vulcanized with drinking water approved EPDM
- Top of the wedge conceived with "soft stop" system, which acts as an end stop for the fully open valve
- Wedge with brass nut fixed in the wedge core preventing vibration and ensure a long life span
- Wedge and body designed with "monorail" system
- Round EPDM bonnet gasket fixed in a recess, surrounding the bolts, ensuring a perfect seal
- Body/bonnet bolts in stainless steel A2 encased and sealed ensuring full corrosion protection
- Position indicator for visual display of gate position
- On request possibility of stem in stainless steel AISI 316L, NBR sealings and wedge nut in different brass grades.



Fucoli Somepal
FUNDAÇÃO DE FERRO, S. A.

Visit our website at www.fucoli-somepal.pt

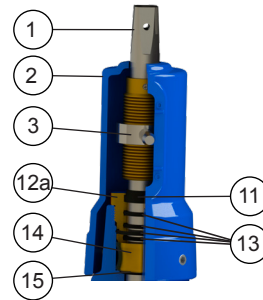
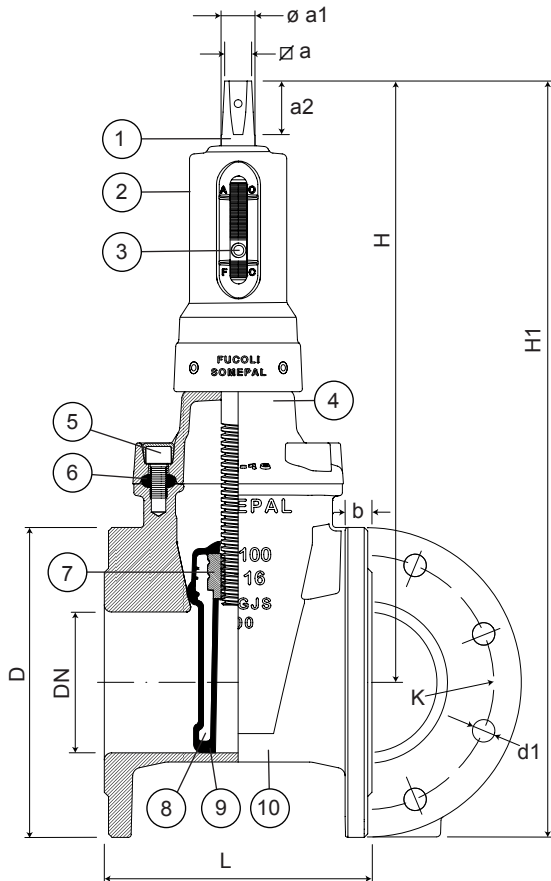
Head office: Estrada de Coselhas, 3000-125 Coimbra – Portugal | Tel.: (+351) 239 490100 | Fax: (+351) 239 490198

Branch office: Rua de Aveiro 50, 3050-420 Pampilhosa – Portugal | Tel.: (+351) 239 490100 | Fax: (+351) 231 949292 | comercial@fucoli-somepal.pt

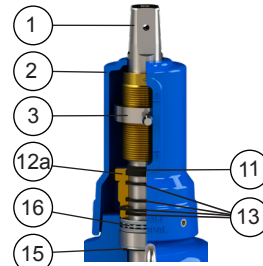
FLANGED SOFT SEALING GATE VALVE S14 3000

with open/close indicator
DN 40 - 600 PN10/16

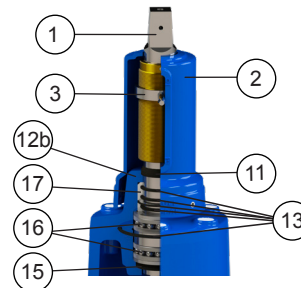
01.600



DN 40 up to DN 200



DN 250 up to DN 300



DN 350 up to DN 600

Component list

pos.	components	material	standard
1	Stem	Stainless steel AISI 420	EN 10088 - 1
2	Coupling	Ductile iron EN-GJS-500-7	EN 1563
3	Open-close indicated	Stainless steel AISI 420	EN 10088 - 1
4	Bonnet	Ductile iron EN-GJS-500-7	EN 1563
5	Bolts	Stainless steel A2	EN 10088 - 1
6	Bonnet gasket	Elastomer EPDM	EN 681 -1
7	Wedge nut	Brass DZR CW626N	EN 12164
8	Wedge	Ductile iron EN-GJS-500-7	EN 1563
9	Wedge covering	Elastomer EPDM	EN 681 -1

pos.	components	material	standard
10	Body	Ductile iron EN-GJS-500-7	EN 1563
11	Clearing joint	Elastomer	
12a	Gland	Brass DZR CW602N	EN 12164
12b	Gland	Ductile iron EN-GJS-500-7	EN 1563
13	O-rings	Elastomer EPDM	EN 681 - 1
14	Stem washer	Brass DZR CW602N	EN 12164
15	O-ring	Elastomer EPDM	EN 681 - 1
16	Bearing	Steel	ISO 20516
17	Gland bush	POM	

Reference and dimensions

DN	PN	code	D	L	H	H1	K	n° x d1	b	∅ a	∅ a1	a2	turns to open	Kg approx.
			mm	mm	mm	mm	mm	mm	mm	mm	mm	mm		
40	10/16	10724500	150	140	298	373	110	4 x 19	19	14.1	20	29	10	11
50	10/16	10724510	165	150	327	410	125	4 x 19	19	14.1	20	29	13	12
60	10/16	10724520	175	170	341	434	135	4 x 19	19	17.1	22	34	13	14
65	10/16	10724530	185	170	341	434	145	4 x 19	19	17.1	22	34	13	14
80	10/16	10724540	200	180	361	462	160	8 x 19	19	17.1	22	34	16	19
100	10/16	10724550	220	190	427	537	180	8 x 19	19	19.1	24	38	20	22
125	10/16	10724560	250	200	469	594	210	8 x 19	19	19.1	26	38	25	27
150	10/16	10724570	285	210	538	681	240	8 x 23	19	19.1	28	38	30	35
200	10	10724580	340	230	616	786	295	8 x 23	20	24.1	32	42	34	53
200	16	10724585	340	230	616	786	295	12 x 23	20	24.1	32	42	34	53
250	10	10724590	400	250	702	902	350	12 x 23	22	27.1	36	47	42	75
250	16	10724595	400	250	702	902	355	12 x 28	22	27.1	36	47	42	75

continued on next page

FLANGED SOFT SEALING GATE VALVE S14 3000
with open/close indicator
DN 40 - 600 PN10/16

01.600



continued from previous page

DN	PN	code	D mm	L mm	H mm	H1 mm	K mm	n° x d1 mm	b mm	∅ a mm	∅ a1 mm	a2 mm	turns to open	Kg approx.
300	10	10724600	455	270	774	1016	400	12 x 23	24.5	27.1	36	47	50	107
300	16	10724605	455	270	774	1016	410	12 x 28	24.5	27.1	36	47	50	107
350	10	10724610	505	290	1114	1404	460	16 x 23	24.5	32.1	45	55	67	225
350	16	10724615	520	290	1114	1404	470	16 x 28	26.5	32.1	45	55	67	229
400	10	10724620	565	310	1114	1404	515	16 x 28	24.5	32.1	45	55	67	244
400	16	10724625	580	310	1114	1404	525	16 x 31	28	32.1	45	55	67	250
450	10	10724630	615	330	1284	1621	565	20 x 28	25.5	32.1	50	55	71	384
450	16	10724635	640	330	1284	1621	585	20 x 31	30	32.1	50	55	71	402
500	10	10724640	670	350	1284	1621	620	20 x 28	26.5	32.1	50	55	71	418
500	16	10724645	715	350	1284	1621	650	20 x 34	31.5	32.1	50	55	71	435
600	10	10724650	780	390	1290	1680	725	20 x 31	30	41.1	60	74	86	-
600	16	10724655	840	390	1290	1710	770	20 x 37	36	41.1	60	74	86	-



Fucoli Somepal
 FUNDIÇÃO DE FERRO, S. A.

Visit our website at www.fucoli-somepal.pt

Head office: Estrada de Coselhas, 3000-125 Coimbra – Portugal | Tel.: (+351) 239 490100 | Fax: (+351) 239 490198

Branch office: Rua de Aveiro 50, 3050-420 Pampilhosa – Portugal | Tel.: (+351) 239 490100 | Fax: (+351) 231 949292 | comercial@fucoli-somepal.pt

