

## BUTTERFLY VALVE DUPLEX 316L

with seat in stainless steel AISI 316L, gearbox and Auma electric actuator  
DN 150 - 1100 PN10/16/25

04.102A



### Product description

- Butterfly valve series DUPLEX 316L with seat in stainless steel, gearbox and Auma electric actuator for drinking water and neutral liquids
- Service temperature from 0°C (excluding frost) to 70°C

### Standards

- Designed according to EN 1074 parte 1 & 2 and EN 593
- Flange drilling to EN 1092-2 PN10/16/25
- Face-to-face according to EN 558 table 2 series 14
- ISO top flange according to ISO 5210
- Auma Norm multi-turn electric actuators with enclosure IP68 according to EN 60529

### Tests

All valves are individually hydrostatically tested according to EN 1074-1/2 and EN 12266:

- Seal 1.1 x PN (in bar); Body: 1.5 x PN (in bar)

### Corrosion protection

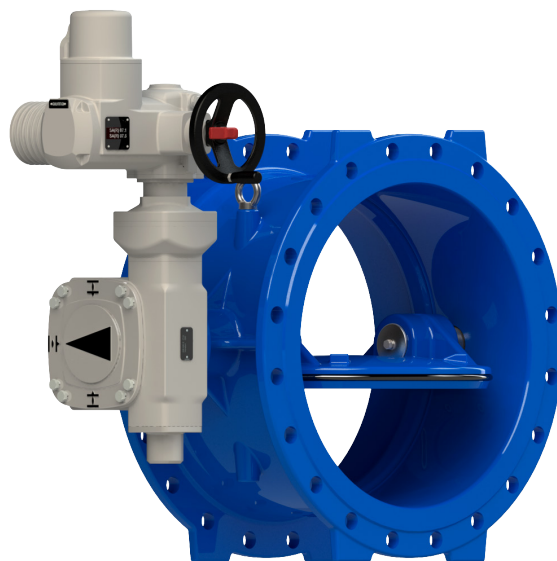
- Epoxy powder coating RAL 5005
- Applied internal and external with a minimum coating thickness of 250 µm
- Potable water approved epoxy coating, fusion bonded according DIN 3476-1, EN 14901 and GSK approved

### Approvals

- Certificação de potabilidade ACS certificado 23 ACC NY 592
- GSK Epoxy Coating Certificate GSK-ID:1247 (RAL-GZ 662)

### Features

- Isolation and flow regulation valve approved for drinking water
- Double eccentricity valve and bidirectional sealing allowing a perfect seal on both flow directions
- Body with integrated seat in ductile cast iron EN-GJS-500-7
- Shafts in stainless steel AISI 304 bronze covering
- Easy O-rings replacement
- Inovator shutter stability system which impedes its transversal displacement thus guaranteeing a permanent sealing
- Equipped with gearbox IP68 and electric actuator Auma Norm correctly adjusted in the factory, in the opening and closing positions, which guarantee its correct functioning
- Gearbox with worm-gear which blocks the shutter in any position, thus impeding that the impact of the flow changes its position
- Auma Norm electric actuator multi-turn SA with three-phase AC motors (3PH - 400V - 50Hz - IP68)
- On request possibility of actuator Auma Norm single phrase, Auma Matic, Aumatic or others, obturator sealing in NBR/SBR and shafts in stainless steel AISI 316.



**Fucoli Somepal**  
FUNDAÇÃO DE FERRO, S. A.

Visit our website at [www.fucoli-somepal.pt](http://www.fucoli-somepal.pt)

Head office: Estrada de Coselhas, 3000-125 Coimbra – Portugal | Tel.: (+351) 239 490100 | Fax: (+351) 239 490198

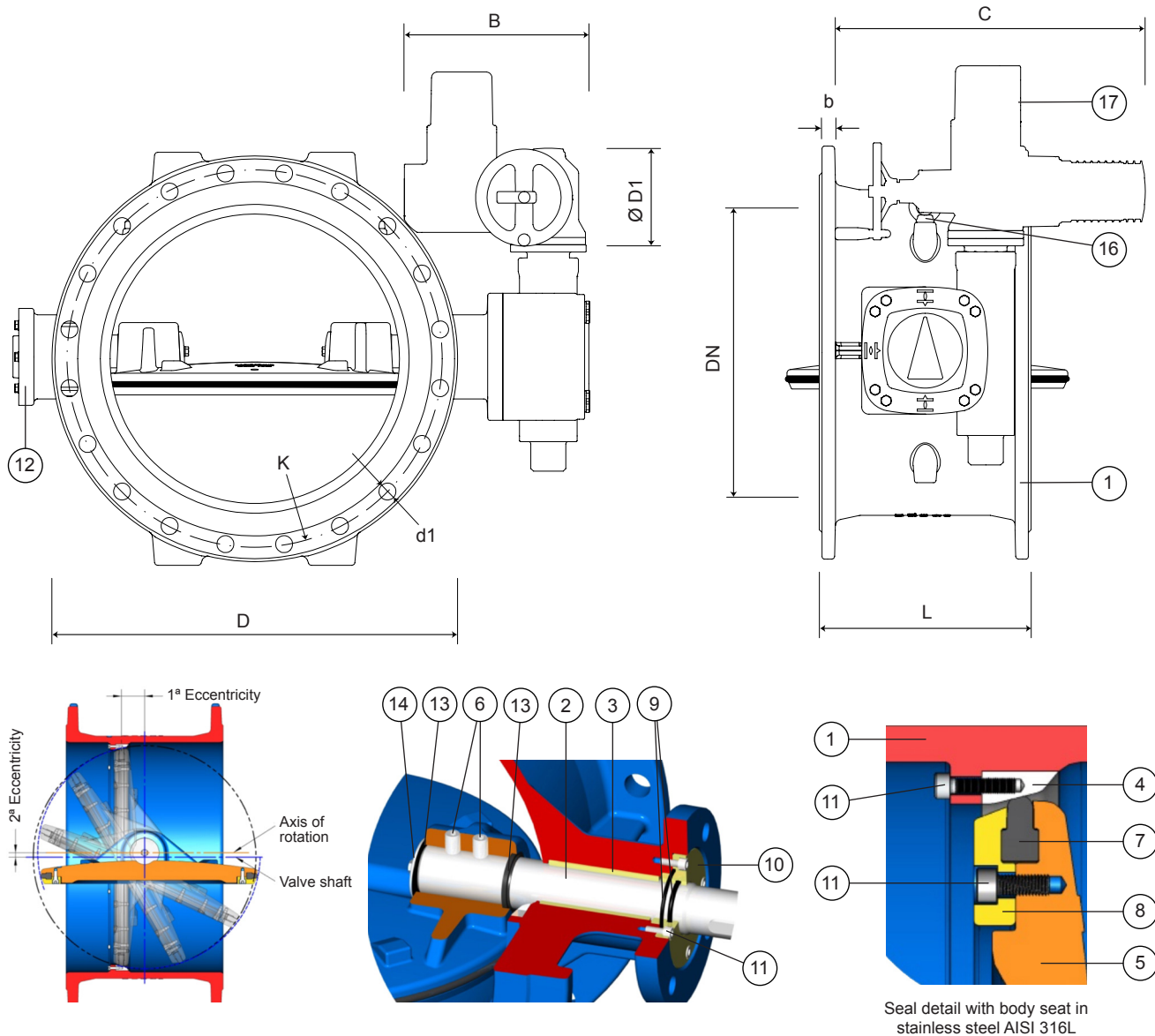
Branch office: Rua de Aveiro 50, 3050-420 Pampilhosa – Portugal | Tel.: (+351) 239 490100 | Fax: (+351) 231 949292 | [comercial@fucoli-somepal.pt](mailto:comercial@fucoli-somepal.pt)

# BUTTERFLY VALVE DUPLEX 316L

with seat in stainless steel AISI 316L, gearbox and Auma electric actuator

DN 150 - 1100 PN10/16/25

04.102A



## Component list

pos.	components	material	standard
1	Body	Ductile iron EN-GJS-500-7	EN 1563
2	Shafts	Stainless steel AISI 316L	EN 10088 - 1
3	Shafts bushing	Bronze	EN 1982
4	Body seat	Stainless steel AISI 316L	EN 10088 - 1
5	Obturator	Ductile iron EN-GJS-500-7	EN 1563
6	Stud	Stainless steel A2	EN 10088 - 1
7	Obturator sealing	Elastomer EPDM	EN 681 - 1
8	Seal tightening ring	Ductile iron EN-GJS-500-7	EN 1563
9	O-rings	Elastomer EPDM	EN 681 - 1
10	Locking ring O-ring	Bronze	EN 1982
11	Bolts	Stainless steel A2	EN 10088 - 1
12	Side bonnet	Ductile iron EN-GJS-500-7	EN 1563
13	Shafts sealing	Elastomer EPDM	EN 681 - 1
14	Shafts washer	Stainless steel AISI 316L	EN 10088 - 1
15	Gearbox	-	-
16	Lifting eyes	Steel zinc plated	-
17	AUMA electric actuator	-	-

continued on next page

# BUTTERFLY VALVE DUPLEX 316L

with seat in stainless steel AISI 316L, gearbox and Auma electric actuator  
DN 150 - 1100 PN10/16/25

04.102A



continued from previous page

## Reference and dimensions

DN	PN	code	D	L	K	n° x d1	b	AUMA atuator	B	C	Ø D1	RPM atuator	closed time s.	Kg approx.
			mm	mm	mm	mm	mm		mm	mm	mm			
150	10/16	10783000A	285	210	240	8 x 23	19	SA 7.6	300	514	160	22	35	58
150	25	10770175A	300	210	250	8 x 28	20	SA 7.6	300	514	160	22	35	66
200	10	10783005A	340	230	295	8 x 23	20	SA 7.6	300	514	160	22	35	69
200	16	10783010A	340	230	295	12 x 23	20	SA 7.6	300	514	160	22	35	94
200	25	10770195A	360	230	310	12 x 28	22	SA 7.6	300	514	160	22	35	90
250	10	10783015A	400	250	350	12 x 23	22	SA 7.6	300	514	160	16	48	97
250	16	10783020A	400	250	355	12 x 28	22	SA 7.6	300	514	160	16	48	98
250	25	10770215A	425	250	370	12 x 31	24.5	SA 7.6	300	514	160	16	48	108
300	10	10783025A	455	270	400	12 x 23	24.5	SA 7.6	300	514	160	16	48	115
300	16	10783030A	455	270	410	12 x 28	24.5	SA 7.6	300	514	160	16	48	115
300	25	10770235A	485	270	430	16 x 31	27.5	SA 10.2	313	537	200	16	50	130
350	10	10783035A	505	290	460	16 x 23	24.5	SA 7.6	300	514	160	16	50	150
350	16	10783040A	520	290	470	16 x 28	26.5	SA 10.2	313	537	200	16	50	162
350	25	10770255A	555	290	490	16 x 34	30	SA 10.2	313	537	200	16	50	165
400	10	10783045A	565	310	515	16 x 28	24.5	SA 7.6	300	514	160	16	50	171
400	16	10783050A	580	310	525	16 x 31	28	SA 10.2	313	537	200	16	50	184
400	25	10770275A	620	310	550	16 x 37	32	SA 7.6	300	514	160	32	98	214
450	10	10783055A	615	330	565	20 x 28	25.5	SA 7.6	300	514	160	32	98	226
450	16	10783060A	640	330	585	20 x 31	30	SA 7.6	300	514	160	32	98	248
450	25	10770295A	670	330	600	20 x 37	34.5	SA 7.6	300	514	160	32	98	246
500	10	10783065A	670	350	620	20 x 28	26.5	SA 7.6	300	514	160	32	98	260
500	16	10783070A	715	350	650	20 x 34	31.5	SA 7.6	300	514	160	32	98	285
500	25	10770315A	730	350	660	20 x 37	36.5	SA 10.2	313	537	200	32	98	309
600	10	10783075A	780	390	725	20 x 31	30	SA 7.6	300	514	160	32	98	327
600	16	10783080A	840	390	770	20 x 37	36	SA 10.2	313	537	200	22	142	381
600	25	10770335A	845	390	770	20 x 41	42	SA 10.2	313	537	200	22	142	397
700	10	10783085A	895	430	840	24 x 31	32.5	SA 10.2	313	537	200	22	142	461
700	16	10783090A	910	430	840	24 x 37	39.5	SA 10.2	313	537	200	22	142	513
700	25	10770355A	960	430	875	24 x 44	46.5	SA 10.2	313	537	200	32	207	665
800	10	10783095A	1015	470	950	24 x 34	35	SA 10.2	313	537	200	22	142	583
800	16	10783100A	1025	470	950	24 x 41	43	SA 10.2	313	537	200	32	207	678
800	25	10770375A	1085	470	990	24 x 50	51	SA 10.2	313	537	200	45	288	889
900	10	10783105A	1115	510	1050	28 x 34	37.5	SA 7.6	300	514	160	32	207	782
900	16	10783110A	1125	510	1050	28 x 41	46.5	SA 7.6	300	514	160	45	288	909
900	25	10770395A	1185	510	1090	28 x 50	55.5	SA 10.2	313	537	200	45	288	1017
1000	10	10783115A	1230	550	1160	28 x 37	40	SA 10.2	313	537	200	22	301	972
1000	16	10783120A	1255	550	1170	28 x 44	50	SA 10.2	313	537	200	32	405	1122
1000	25	10770415A	1320	550	1210	28 x 57	60	SA 14.2	377	725	315	22	578	1422
1100	10	10783125A	1340	590	1270	32 x 37	42.5	SA 10.2	313	537	200	32	405	1761
1100	16	10783130A	1355	590	1270	32 x 44	53.5	SA 14.2	377	725	315	22	578	1837



**Fucoli Somepal**  
FUNDAÇÃO DE FERRO, S. R. L.

Visit our website at [www.fucoli-somepal.pt](http://www.fucoli-somepal.pt)

Head office: Estrada de Coselhas, 3000-125 Coimbra – Portugal | Tel.: (+351) 239 490100 | Fax: (+351) 239 490198

Branch office: Rua de Aveiro 50, 3050-420 Pampilhosa – Portugal | Tel.: (+351) 239 490100 | Fax: (+351) 231 949292 | [comercial@fucoli-somepal.pt](mailto:comercial@fucoli-somepal.pt)



100% MADE IN EUROPE