

FLANGED SOFT SEALING GATE VALVE S15 3000

DN 40 - 300 PN25

01.202



Product description

- Flanged soft sealing gate valve series 3000 for drinking water and neutral liquids
- Service temperature from 0°C (excluding frost) to 70°C

Standards

- Designed according to EN 1074 part 1 & 2 and EN 1171
- Flange drilling to EN 1092-2 PN25
- Face-to-face according to EN 558 series 15

Tests

All valves are individually hydrostatically tested according to EN 1074-1/2 and EN 12266:

- Seal 1.1 x PN (in bar); Body: 1.5 x PN (in bar). Operation torque test

Corrosion protection

- Epoxy powder coating RAL 5005
- Applied internal and external with a minimum coating thickness of 250 µm
- Potable water approved epoxy coating, fusion bonded according to DIN 3476-1, EN 14901 and GSK approved

Approvals

- Certified according to EN 1074-1/2: AENOR Certificate B18/000002
- ACS Potability Certificate 15 ACC NY 005
- GSK Epoxy Coating Certificate GSK-ID:1247 (RAL-GZ 662)

Features

- Isolation valve approved for drinking water
- Full bore
- Low operating torque
- The valves from DN 250 to DN 300 are equipped with an axial bearing to ensure reduced operating torque
- Stainless steel stem with rolled threads produced by cold rolling process, which keeps the steel structure and increase its mechanical resistance
- Stem sealing system with 4 O-rings in EPDM
- O-ring stem sealing exchangeable under pressure
- Wedge fully vulcanized with drinking water approved EPDM
- Top of the wedge conceived with "soft stop" system, which acts as an end stop for the fully open valve
- Wedge with brass nut fixed in the wedge core preventing vibration and ensure a long life span
- Wedge and body designed with "monorail" system
- Round EPDM bonnet gasket fixed in a recess, surrounding the bolts, ensuring a perfect seal
- Body/bonnet bolts in stainless steel A2 encased and sealed ensuring full corrosion protection
- Accessories: handwheel [ref.05.100], stem cap [ref. 05.200], extension spindle [ref. 05.300] and surface box [ref. 05.500]
- On request possibility of stem in stainless steel AISI 316L, NBR sealings and wedge nut in different brass grades.



Fucoli Somepal
FUNDAÇÃO DE FERRO, S. A.

Visit our website at www.fucoli-somepal.pt

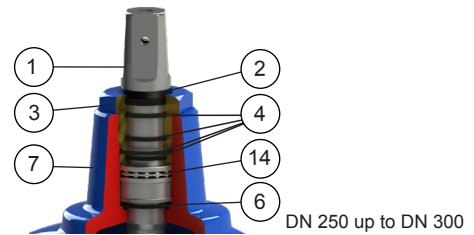
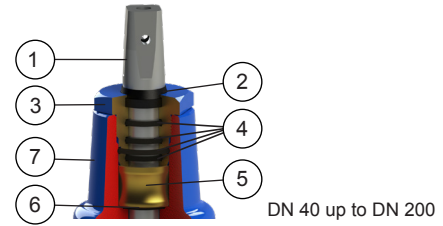
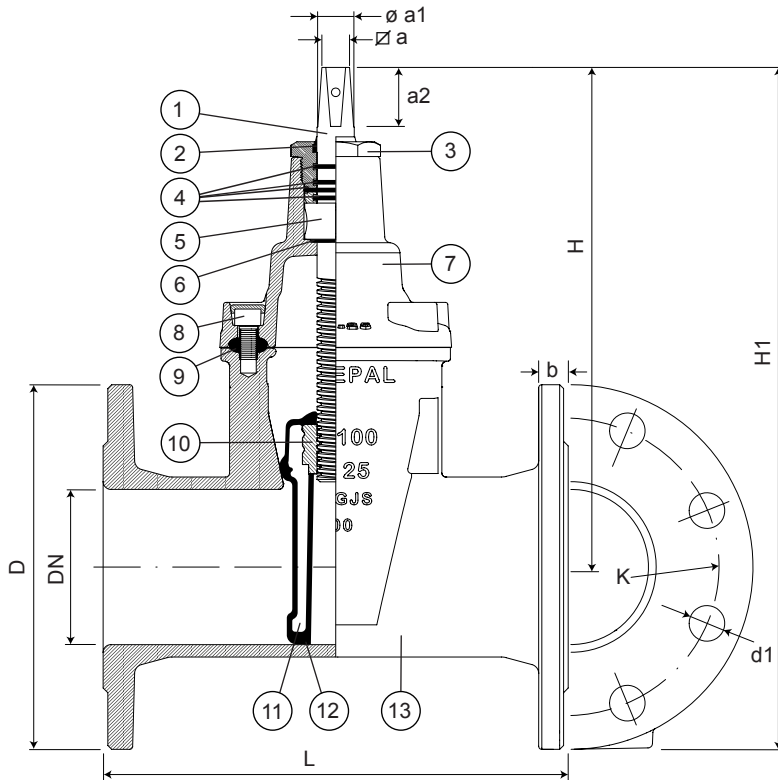
Head office: Estrada de Coselhas, 3000-125 Coimbra – Portugal | Tel.: (+351) 239 490100 | Fax: (+351) 239 490198

Branch office: Rua de Aveiro 50, 3050-420 Pampilhosa – Portugal | Tel.: (+351) 239 490100 | Fax: (+351) 231 949292 | comercial@fucoli-somepal.pt

FLANGED SOFT SEALING GATE VALVE S15 3000

DN 40 - 300 PN25

01.202



Component list

| pos. | components | material | standard |
|------|----------------|------------------------------|--------------|
| 1 | Stem | Stainless steel AISI 420 | EN 10088 - 1 |
| 2 | Clearing joint | Elastomer | |
| 3 | Gland | Brass CW614N | EN 12164 |
| 4 | O-rings | Elastomer EPDM | EN 681 - 1 |
| 5 | Stem washer | Brass CW603N | EN 12164 |
| 6 | O-ring | Elastomer EPDM | EN 681 - 1 |
| 7 | Bonnet | Ductile iron EN-GJS-500-7 | EN 1563 |
| 8 | Bolts | Stainless steel A2 | EN 10088 - 1 |

| pos. | components | material | standard |
|------|----------------|------------------------------|------------|
| 9 | Bonnet gasket | Elastomer EPDM | EN 681 - 1 |
| 10 | Wedge nut | Brass CW603N | EN 12164 |
| 11 | Wedge | Ductile iron EN-GJS-500-7 | EN 1563 |
| 12 | Wedge covering | Elastomer EPDM | EN 681 - 1 |
| 13 | Body | Ductile iron EN-GJS-500-7 | EN 1563 |
| 14 | Bearing | Steel | ISO 20516 |

Reference and dimensions

| DN | PN | code | D | L | H | H1 | K | n° x d1 | b | Ø a | Ø a1 | a2 | turns to open | Kg approx. |
|-----|----|----------|-----|-----|-----|-----|-----|---------|------|------|------|----|---------------|------------|
| | | | mm | mm | mm | mm | mm | mm | mm | mm | mm | mm | | |
| 40 | 25 | 10726014 | 150 | 240 | 203 | 278 | 110 | 4 x 19 | 19 | 14.1 | 20 | 29 | 10 | 9 |
| 50 | 25 | 10726024 | 165 | 250 | 235 | 318 | 125 | 4 x 19 | 19 | 14.1 | 20 | 29 | 13 | 11 |
| 60 | 25 | 10726034 | 175 | 270 | 250 | 338 | 135 | 8 x 19 | 19 | 17.1 | 22 | 34 | 13 | 13 |
| 65 | 25 | 10726044 | 185 | 270 | 250 | 343 | 145 | 8 x 19 | 19 | 17.1 | 22 | 34 | 13 | 14 |
| 80 | 25 | 10726054 | 200 | 280 | 290 | 390 | 160 | 8 x 19 | 19 | 17.1 | 22 | 34 | 16 | 19 |
| 100 | 25 | 10726064 | 235 | 300 | 325 | 443 | 190 | 8 x 23 | 19 | 19.1 | 24 | 38 | 20 | 25 |
| 125 | 25 | 10726074 | 270 | 325 | 362 | 497 | 220 | 8 x 28 | 19 | 19.1 | 26 | 38 | 25 | 31 |
| 150 | 25 | 10726084 | 300 | 350 | 425 | 575 | 250 | 8 x 28 | 20 | 19.1 | 28 | 38 | 30 | 45 |
| 200 | 25 | 10726094 | 360 | 400 | 505 | 685 | 310 | 12 x 28 | 22 | 24.1 | 32 | 42 | 34 | 65 |
| 250 | 25 | 10726104 | 425 | 450 | 595 | 808 | 370 | 12 x 31 | 24.5 | 27.1 | 36 | 47 | 42 | 97 |
| 300 | 25 | 10726114 | 485 | 500 | 670 | 913 | 430 | 16 x 31 | 27.5 | 27.1 | 36 | 47 | 50 | 136 |



Fucoli Somepal
FUNDAÇÃO DE FERRO, S.A.

Visit our website at www.fucoli-somepal.pt

Head office: Estrada de Coselhas, 3000-125 Coimbra – Portugal | Tel.: (+351) 239 490100 | Fax: (+351) 239 490198

Branch office: Rua de Aveiro 50, 3050-420 Pampilhosa – Portugal | Tel.: (+351) 239 490100 | Fax: (+351) 231 949292 | comercial@fucoli-somepal.pt



100% MADE IN EUROPE