

KEY for gate valve

05.700

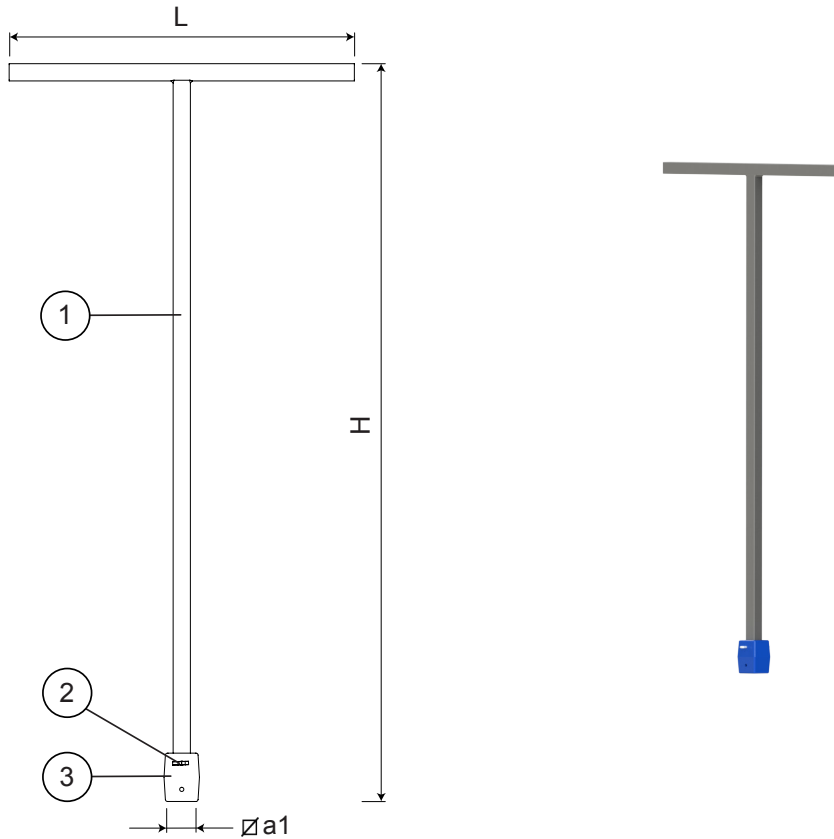


Product description

- Key for gate valve to drinking water, neutral liquids, wastewater and gas distribution
- Bottom adaptor in ductile iron (EN-GJS-500-7) with epoxy paint coating

Note

- In order to use the key for gate valve correctly, the valve must have installed the stem cap [ref. 05.200].



Component list

pos.	components	material	standard
1	Key for gate valve	Steel	EN 10025
2	Split	Stainless steel A2	EN 10088-1
3	Bottom adaptor	Ductile iron EN-GJS-500-7	EN 1563

Reference and dimensions

code	L	H	$\varnothing a1$	Kg
	mm	mm	mm	approx.
10701005	500	1069	27	3



Fucoli Somepal
FUNDAÇÃO DE FERRO, S. A.

Visit our website at www.fucoli-somepal.pt

Head office: Estrada de Coselhas, 3000-125 Coimbra – Portugal | Tel.: (+351) 239 490100 | Fax: (+351) 239 490198

Branch office: Rua de Aveiro 50, 3050-420 Pampilhosa – Portugal | Tel.: (+351) 239 490100 | Fax: (+351) 231 949292 | comercial@fucoli-somepal.pt