

FLANGED SOFT SEALING GATE VALVE S15 3000

with pneumatic cylinder

DN 50 - 300 PN10/16

11.203



Product description

- Flanged soft sealing gate valve series 3000 with pneumatic cylinder actuator for waste water
- Service temperature from 0°C (excluding frost) to 70°C

Standards

- Designed according to EN 1074 part 1 & 2 and EN 1171
- Flange drilling to EN 1092-2 PN10/16
- Face-to-face according to EN 558 series 15

Tests

All valves are individually hydrostatically tested according to EN 1074-1/2 and EN 12266:

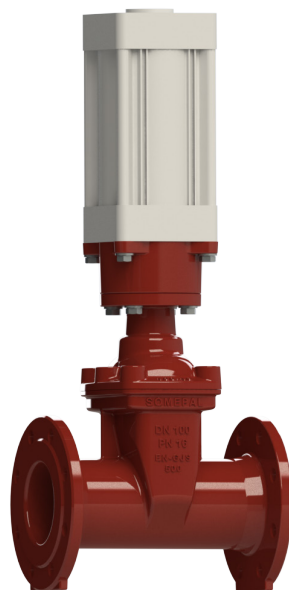
- Seal 1.1 x PN (in bar); Body: 1.5 x PN (in bar)

Corrosion protection

- Epoxy powder coating RAL 3011
- Applied internal and external with a minimum coating thickness of 250 µm
- Fusion bonded epoxy coating according to DIN 3476-1, EN 14901 and GSK (RAL-GZ662) guidelines

Features

- Isolation valve for waste water
- Full bore
- Shaft sealing system with 3 O-rings in NBR
- Wedge fully vulcanized in NBR
- Top of the wedge conceived with “soft stop” system, which acts as an end stop for the fully open valve
- Wedge with brass nut fixed in the wedge core preventing vibration and ensure a long life span
- Wedge and body designed with “monorail” system
- Round NBR bonnet gasket fixed in a recess, surrounding the bolts, ensuring a perfect seal
- Body/bonnet bolts in stainless steel A2 encased and sealed ensuring full corrosion protection
- Double acting pneumatic actuator with position sensing for open/close operation approved by ATEX.



Fucoli Somepal
FUNDAÇÃO DE FERRO, S.A.

Visit our website at www.fucoli-somepal.pt

Head office: Estrada de Coselhas, 3000-125 Coimbra – Portugal | Tel.: (+351) 239 490100 | Fax: (+351) 239 490198

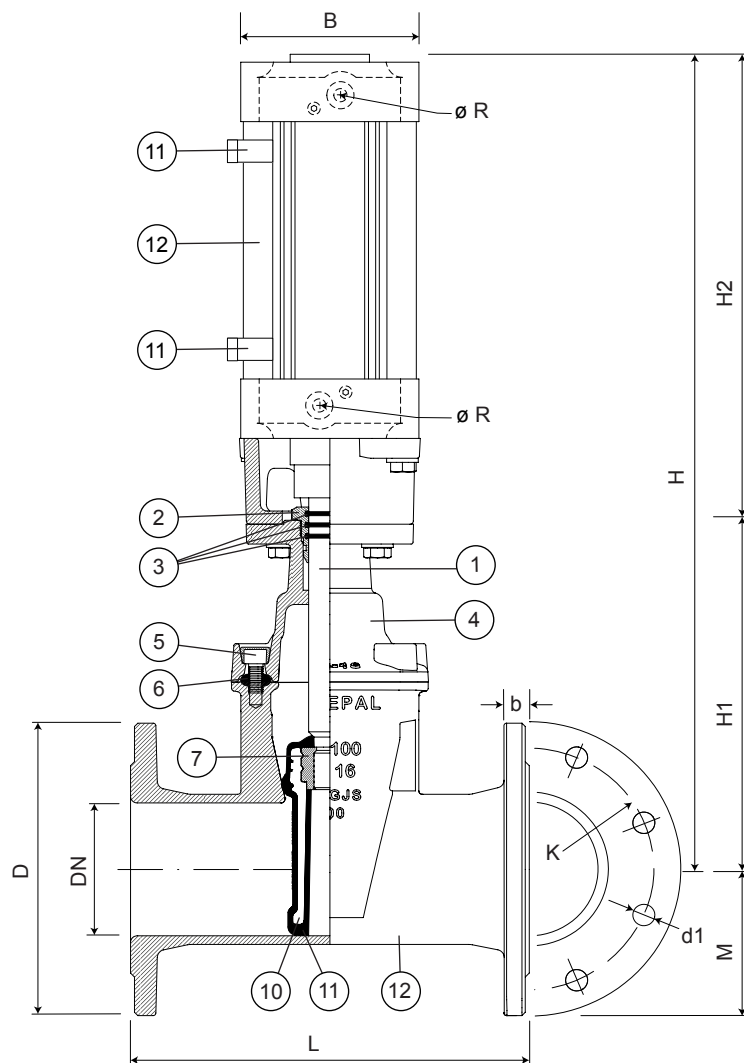
Branch office: Rua de Aveiro 50, 3050-420 Pampilhosa – Portugal | Tel.: (+351) 239 490100 | Fax: (+351) 231 949292 | comercial@fucoli-somepal.pt

FLANGED SOFT SEALING GATE VALVE S15 3000

with pneumatic cylinder

DN 50 - 300 PN10/16

11.203



Component list

pos.	components	material	standard
1	Shaft	Stainless steel AISI 316L	EN 10088 - 1
2	Stem washer	Brass	EN 12164
3	O-rings	Elastomer NBR	EN 681 - 1
4	Bonnet	Ductile iron EN-GJS-500-7	EN 1563
5	Bolts	Stainless steel A2	EN 10088 - 1
6	Bonnet gasket	Elastomer NBR	EN 681 - 1
7	Wedge nut	Brass	EN 12164
8	Wedge	Ductile iron EN-GJS-500-7	EN 1563
9	Wedge covering	Elastomer NBR	EN 681 - 1
10	Body	Ductile iron EN-GJS-500-7	EN 1563
11	Open-close limit switching (option)	-	-
12	Pneumatic cylinder	Aluminium and stainless steel	-

Reference and dimensions

DN	PN	code	D	L	H	M	H1	H2	K	n° x d1	b	B	ø R	Kg approx.
mm	mm		mm	mm	mm	mm	mm	mm	mm	mm	mm	mm		
40	10/16	10738302	150	240	283	75	208	75	110	4 x 19	19	100	G 1/2"	16
50	10/16	10738307	165	250	283	83	208	75	125	4 x 19	19	100	G 1/2"	18
60	10/16	10738312	175	270	307	88	217	90	135	4 x 19	19	100	G 1/2"	20
65	10/16	10738317	185	270	307	93	217	90	145	4 x 19	19	100	G 1/2"	20
80	10/16	10738322	200	280	362	100	257	105	160	8 x 19	19	125	G 3/4"	25
100	10/16	10738327	220	300	411	110	286	125	180	8 x 19	19	125	G 3/4"	33
125	10/16	10738332	250	325	473	125	323	150	210	8 x 19	19	160	G 3/4"	46
150	10/16	10738337	285	350	559	143	384	175	240	8 x 23	19	160	G 3/4"	60
200	10	10738342	340	400	684	170	459	225	295	8 x 23	20	200	G 3/4"	86
200	16	10738347	340	400	684	170	459	225	295	12 x 23	20	200	G 3/4"	86
250	10	10738352	400	450	820	200	545	275	350	12 x 23	22	200	G 1"	138
250	16	10738357	400	450	820	200	545	275	355	12 x 28	22	200	G 1"	138
300	10	10738362	455	500	945	228	620	325	400	12 x 23	24.5	200	G 1"	200
300	16	10738367	455	500	945	228	620	325	410	12 x 28	24.5	200	G 1"	200



Fucoli Somepal
FUNDIÇÃO DE FERRO, S. A.

Visit our website at www.fucoli-somepal.pt

Head office: Estrada de Coselhas, 3000-125 Coimbra – Portugal | Tel.: (+351) 239 490100 | Fax: (+351) 239 490198

Branch office: Rua de Aveiro 50, 3050-420 Pampilhosa – Portugal | Tel.: (+351) 239 490100 | Fax: (+351) 231 949292 | comercial@fucoli-somepal.pt



100% MADE IN EUROPE