

SADDLE BRAC PRO
for uPVC/PE pipes
DN 50 - DN 400 PN10/16/25

08.100



Product description

- Tapping saddle series BRAC PRO for uPVC/PE pipes for drinking water, neutral liquids and wastewater treatment
- Service temperature from 0°C (excluding frost) to 70°C

Standards

- Designed according to EN 12842
- For uPVC pipes according to ISO 1452-2
- For PE pipes according to EN 12201 and DIN 8074
- Internal parallel BSP thread (Type G) according to ISO 228-1 and ISO 1179-1

Corrosion protection

- Epoxy powder coating RAL 5005
- Applied internal and external with a minimum coating thickness of 250 µm
- Potable water approved epoxy coating fusion bonded according EN 14901 and GSK (RAL-GZ662) guidelines

Features

- Tapping saddle designed to allow the execution of branches in uPVC/PE easily and without the need for maintenance
- Tapping saddle internal parallel BSP thread gas type, designed with an adequate depth so that the installation of the branch is possible to carry out in a reliable, lasting way and without water loss
- Tapping saddle with robust design and long body that ensures its perfect fixation to the pipe and prevents it from shifting or turning after installation
- Internal surface of the tapping saddle fully coated with drinking water approved EPDM, surrounding the entire outside diameter of the pipe
- Gasket sealing system with 5 integrated O-rings in the area of the clamp branch which ensure a perfect sealing
- Bolts in stainless steel A2
- On request possibility of bolts and washers in stainless steel A4, NBR sealing or other elastomer.



Fucoli Somepal
FUNDAÇÃO DE FERRO, S. A.

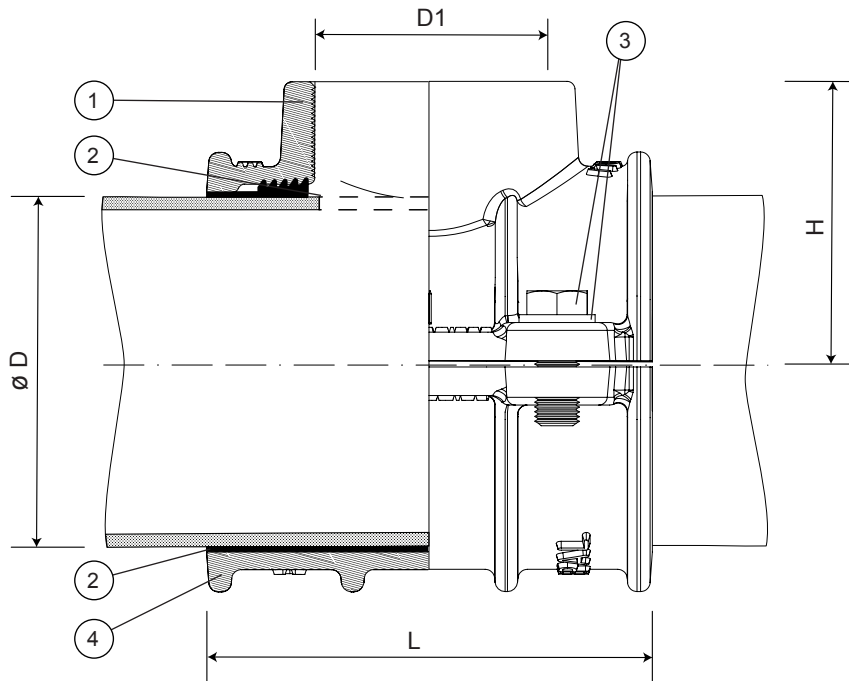
Visit our website at www.fucoli-somepal.pt

Head office: Estrada de Coselhas, 3000-125 Coimbra – Portugal | Tel.: (+351) 239 490100 | Fax: (+351) 239 490198

Branch office: Rua de Aveiro 50, 3050-420 Pampilhosa – Portugal | Tel.: (+351) 239 490100 | Fax: (+351) 231 949292 | comercial@fucoli-somepal.pt

SADDLE BRAC PRO
for uPVC/PE pipes
DN 50 - DN 400 PN10/16/25

08.100



Component list

| pos. | components | material | standard |
|------|-------------------|---------------------------|--------------|
| 1 | Body superior | Ductile iron EN-GJS-500-7 | EN 1563 |
| 2 | Sealings | Elastomer EPDM | EN 681 - 1 |
| 3 | Bolts and Washers | Stainless steel A2 | EN 10088 - 1 |
| 4 | Body inferior | Ductile iron EN-GJS-500-7 | EN 1563 |

Reference and dimensions

| Ø D | D1 | code | L | H | Kg |
|-------------|--------|----------|-----|----|---------|
| ext. PE/PVC | (BSP) | | mm | mm | approx. |
| 50 | G ¾" | 10480011 | 100 | 49 | 2 |
| 50 | G 1" | 10480012 | 100 | 49 | 2 |
| 50 | G 1 ¼" | 10480013 | 100 | 49 | 2 |
| 50 | G 1 ½" | 10480014 | 100 | 49 | 2 |
| 63 | G ¾" | 10480021 | 100 | 56 | 2 |
| 63 | G 1" | 10480022 | 100 | 56 | 2 |
| 63 | G 1 ¼" | 10480023 | 100 | 58 | 2 |
| 63 | G 1 ½" | 10480024 | 100 | 58 | 2 |
| 63 | G 2" | 10480025 | 100 | 62 | 2 |
| 75 | G ¾" | 10480031 | 120 | 63 | 3 |
| 75 | G 1" | 10480032 | 120 | 63 | 3 |
| 75 | G 1 ¼" | 10480033 | 120 | 65 | 3 |
| 75 | G 1 ½" | 10480034 | 120 | 65 | 3 |
| 75 | G 2" | 10480035 | 120 | 69 | 3 |
| 90 | G ¾" | 10480041 | 120 | 71 | 3 |
| 90 | G 1" | 10480042 | 120 | 71 | 3 |
| 90 | G 1 ¼" | 10480043 | 120 | 73 | 3 |
| 90 | G 1 ½" | 10480044 | 120 | 73 | 3 |
| 90 | G 2" | 10480045 | 120 | 77 | 3 |
| 90 | G 2 ½" | 10480046 | 120 | 77 | 3 |

| Ø D | D1 | code | L | H | Kg |
|-------------|--------|----------|-----|-----|---------|
| ext. PE/PVC | (BSP) | | mm | mm | approx. |
| 110 | G ¾" | 10480051 | 140 | 82 | 4 |
| 110 | G 1" | 10480052 | 140 | 82 | 4 |
| 110 | G 1 ¼" | 10480053 | 140 | 84 | 4 |
| 110 | G 1 ½" | 10480054 | 140 | 84 | 4 |
| 110 | G 2" | 10480055 | 140 | 88 | 4 |
| 110 | G 2 ½" | 10480056 | 140 | 88 | 5 |
| 110 | G 3" | 10480057 | 140 | 88 | 5 |
| 125 | G ¾" | 10480061 | 160 | 88 | 5 |
| 125 | G 1" | 10480062 | 160 | 88 | 5 |
| 125 | G 1 ¼" | 10480063 | 160 | 90 | 5 |
| 125 | G 1 ½" | 10480064 | 160 | 90 | 6 |
| 125 | G 2" | 10480065 | 160 | 94 | 6 |
| 125 | G 2 ½" | 10480066 | 160 | 94 | 7 |
| 125 | G 3" | 10480067 | 160 | 94 | 6 |
| 140 | G ¾" | 10480071 | 160 | 95 | 6 |
| 140 | G 1" | 10480072 | 160 | 95 | 6 |
| 140 | G 1 ¼" | 10480073 | 160 | 97 | 6 |
| 140 | G 1 ½" | 10480074 | 160 | 97 | 6 |
| 140 | G 2" | 10480075 | 160 | 101 | 6 |
| 140 | G 2 ½" | 10480076 | 160 | 101 | 7 |
| 140 | G 3" | 10480077 | 160 | 101 | 7 |

continued on next page

SADDLE BRAC PRO

for uPVC/PE pipes
DN 50 - DN 400 PN10/16/25

08.100



continued from previous page

| ∅ D ext. PE/PVC | D1 (BSP) | code | L mm | H mm | Kg approx. |
|--------------------|-------------|----------|---------|---------|---------------|
| 160 | G ¾" | 10480081 | 170 | 107 | 7 |
| 160 | G 1" | 10480082 | 170 | 107 | 7 |
| 160 | G 1 ¼" | 10480083 | 170 | 109 | 7 |
| 160 | G 1 ½" | 10480084 | 170 | 109 | 7 |
| 160 | G 2" | 10480085 | 170 | 113 | 7 |
| 160 | G 2 ½" | 10480086 | 170 | 113 | 7 |
| 160 | G 3" | 10480087 | 170 | 113 | 8 |
| 180 | G ¾" | 10480089 | 170 | 117 | 8 |
| 180 | G 1" | 10480088 | 170 | 117 | 8 |
| 180 | G 1 ¼" | 10480090 | 170 | 119 | 8 |
| 180 | G 1 ½" | 10480098 | 170 | 119 | 8 |
| 180 | G 2" | 10480099 | 170 | 123 | 8 |
| 200 | G ¾" | 10480091 | 200 | 127 | 10 |
| 200 | G 1" | 10480092 | 200 | 127 | 9 |
| 200 | G 1 ¼" | 10480093 | 200 | 129 | 9 |
| 200 | G 1 ½" | 10480094 | 200 | 129 | 9 |
| 200 | G 2" | 10480095 | 200 | 133 | 10 |
| 200 | G 2 ½" | 10480096 | 200 | 133 | 10 |
| 200 | G 3" | 10480097 | 200 | 133 | 10 |
| 225 | G ¾" | 10480103 | 200 | 140 | 13 |
| 225 | G 1" | 10480104 | 200 | 140 | 13 |
| 225 | G 1 ¼" | 10480105 | 200 | 142 | 13 |
| 225 | G 1 ½" | 10480106 | 200 | 142 | 13 |
| 225 | G 2" | 10480107 | 200 | 146 | 13 |
| 225 | G 2 ½" | 10480108 | 200 | 146 | 13 |
| 225 | G 3" | 10480109 | 200 | 146 | 13 |

| ∅ D ext. PE/PVC | D1 (BSP) | code | L mm | H mm | Kg approx. |
|--------------------|-------------|----------|---------|---------|---------------|
| 250 | G ¾" | 10480111 | 200 | 152 | 14 |
| 250 | G 1" | 10480112 | 200 | 152 | 15 |
| 250 | G 1 ¼" | 10480113 | 200 | 154 | 14 |
| 250 | G 1 ½" | 10480114 | 200 | 154 | 14 |
| 250 | G 2" | 10480115 | 200 | 158 | 14 |
| 250 | G 2 ½" | 10480116 | 200 | 158 | 16 |
| 250 | G 3" | 10480117 | 200 | 158 | 14 |
| 280 | G ¾" | 10480123 | 200 | 167 | 17 |
| 280 | G 1" | 10480124 | 200 | 167 | 17 |
| 280 | G 1 ¼" | 10480125 | 200 | 169 | 16 |
| 280 | G 1 ½" | 10480126 | 200 | 169 | 16 |
| 280 | G 2" | 10480127 | 200 | 173 | 15 |
| 280 | G 2 ½" | 10480128 | 200 | 173 | 18 |
| 280 | G 3" | 10480129 | 200 | 173 | 17 |
| 315 | G ¾" | 10480131 | 200 | 185 | 17 |
| 315 | G 1" | 10480132 | 200 | 185 | 18 |
| 315 | G 1 ¼" | 10480133 | 200 | 187 | 17 |
| 315 | G 1 ½" | 10480134 | 200 | 187 | 17 |
| 315 | G 2" | 10480135 | 200 | 191 | 17 |
| 315 | G 2 ½" | 10480136 | 200 | 191 | 18 |
| 315 | G 3" | 10480137 | 200 | 191 | 17 |
| 400 | G ¾" | 10480151 | 200 | 228 | 23 |
| 400 | G 1" | 10480152 | 200 | 228 | 22 |
| 400 | G 1 ¼" | 10480153 | 200 | 230 | 22 |
| 400 | G 1 ½" | 10480154 | 200 | 230 | 22 |
| 400 | G 2" | 10480155 | 200 | 234 | 21 |
| 400 | G 2 ½" | 10480157 | 200 | 234 | 23 |
| 400 | G 3" | 10480156 | 200 | 234 | 22 |



Fucoli Somepal
FUNDAÇÃO DE FERRO, S. A.

Visit our website at www.fucoli-somepal.pt

Head office: Estrada de Coselhas, 3000-125 Coimbra – Portugal | Tel.: (+351) 239 490100 | Fax: (+351) 239 490198

Branch office: Rua de Aveiro 50, 3050-420 Pampilhosa – Portugal | Tel.: (+351) 239 490100 | Fax: (+351) 231 949292 | comercial@fucoli-somepal.pt



100% MADE IN EUROPE