

ROUND MANHOLE COVER

SERIES ULTRA

B125, C250 and D400

12.102



Product description

- Round manhole cover series ULTRA
- Water based black painting
- Hydraulic sealing or elastic seating anti-noise

Installation location

- Class B125 - Footways, pedestrian areas and comparable areas, car parks or car parking decks
- Class C250 - For gully tops, installed in the area of kerbside channels of roads which when measured from the kerb edge, extends a maximum of 0,5 m into the carriageway and a maximum of 0,2 m into the pedestrian area
- Class D400 - Carriageways of roads (including pedestrian streets), hard shoulders and parking areas for all types of road vehicles

Standards

- Performance according to EN 124-1/2

Features

- Ductile cast iron cover and frame (EN-GJS-500-7) with water based black painting
- Cover with non-slip raised pattern according to EN 124-1 designed to allow quick and easy installation
- Cover with two lifting points for easy operation/handling
- Cover with a robust conception
- Available with hydraulic sealing to prevent the odours or with elastic seating which assures the cover perfectly fits the frame and also gives stability and silent operating even in high traffic intensity
- Personalization of the cover with inscriptions and logo in high relief with minimal quantities.



Fucoli Somepal
FUNDAÇÃO DE FERRO, S.A.

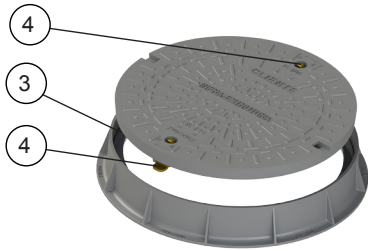
Visit our website at www.fucoli-somepal.pt

Head office: Estrada de Coselhas, 3000-125 Coimbra – Portugal | Tel.: (+351) 239 490100 | Fax: (+351) 239 490198

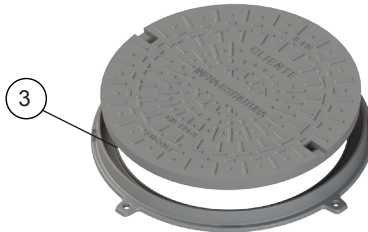
Branch office: Rua de Aveiro 50, 3050-420 Pampilhosa – Portugal | Tel.: (+351) 239 490100 | Fax: (+351) 231 949292 | comercial@fucoli-somepal.pt

ROUND MANHOLE COVER SERIES ULTRA B125, C250 and D400

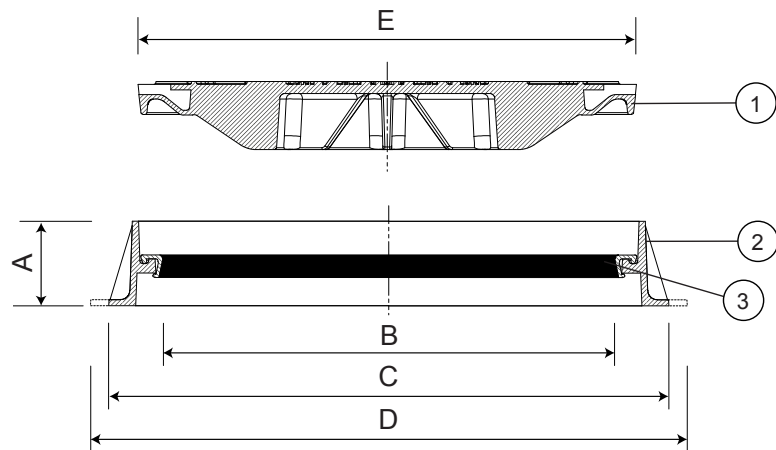
12.102



Ultra 500 with high frame, elastic sealing and 2 security locks



Ultra 500



Component list

pos.	components	material	standard
1	Cover	Ductile iron EN-GJS-500-7	EN 1563
2	Frame	Ductile iron EN-GJS-500-7	EN 1563
3	Elastic seating anti-noise	Polyethylene	-
4	Additional security lock	Zinc 8.8	-

Reference and dimensions

Model - DN - Class	code	Frame				Cover		hydraulic sealing Y / N	Weight	
		height mm A	clear opening mm B	Ø external mm C	Ø ext. with stone-bolt mm D	Ø external mm E	Cover kg approx.		Total kg approx.	
* Ultra 300 - B125	24B1BE2UNBBZZZZ00AA	35	273	340	410	310	Y	7	10	
* Ultra 400 - B125	24B1BO2UNBBZZZZ00AA	39	370	450	525	420	Y	11	16	
* Ultra 400 - D400	24B1BO4UNBBZZZZ00AA	39	370	450	525	420	Y	18	23	
* Ultra 500 - B125	24B1BY2UNCBZZZZ00AA	46	465	575	645	530	Y	16	24	
* Ultra 500 - C250	24B1BY3UNCBZZZZ00AA	46	465	575	645	530	Y	23	31	
* Ultra 500 - D400	24B1BY4UNCBZZZZ00AA	46	465	575	645	530	Y	29	37	
Ultra 500 - B125 with high frame and elastic sealing	24B1BY2UNHBZZZZ00AC	90	485	595	595	530	N	16	30	
Ultra 500 - C250 with high frame and elastic sealing	24B1BY3UNHBZZZZ00AC	90	485	595	595	530	N	23	37	
Ultra 500 - D400 with high frame and elastic sealing	24B1BY4UNHBZZZZ00AC	90	485	595	595	530	N	24	43	
Ultra 500 - D400 with high frame, elastic sealing and 2 security locks	24B1BY4UNHBZZZZ00LC	90	485	595	595	530	N	24	39	
* Ultra 550 - B125	24B1CD2UNDBZZZZ00AA	52	500	595	665	550	Y	24	33	
* Ultra 550 - C250	24B1CD3UNDBZZZZ00AA	52	500	595	665	550	Y	27	36	
* Ultra 550 - D400	24B1CD4UNDBZZZZ00AA	52	500	595	665	550	Y	30	39	
* Ultra 600 - B125	24B1CI2UNCBZZZZ00AA	46	600	710	710	665	Y	25	37	



Fucoli Somepal
FUNDAÇÃO DE FERRO, S.A.

Visit our website at www.fucoli-somepal.pt

Head office: Estrada de Coselhas, 3000-125 Coimbra – Portugal | Tel.: (+351) 239 490100 | Fax: (+351) 239 490198

Branch office: Rua de Aveiro 50, 3050-420 Pampilhosa – Portugal | Tel.: (+351) 239 490100 | Fax: (+351) 231 949292 | comercial@fucoli-somepal.pt



100% MADE IN EUROPE