

CHECK VALVE BOLA

metal/rubber sealed
DN 32 - 400 PN10/16

03.300



Product description

- Check valve series BOLA for drinking water and neutral liquids
- Service temperature from 0°C (excluding frost) to 70°C

Standards

- Designed according to EN 1074 part 3
- Flange drilling to EN 1092-2 PN10/16
- Face-to-face according to EN 558 table 2 series 48

Tests

All valves are individually hydrostatically tested according to EN 1074:

- Seal 1.1 x PN (in bar); Body: 1.5 x PN (in bar)

Corrosion protection

- Epoxy powder coating RAL 5005
- Applied internal and external with a minimum coating thickness of 250 µm
- Potable water approved epoxy coating, fusion bonded according DIN 3476-1, EN 14901 and GSK approved

Approvals

- ACS Potability Certificate 24 ACC NY 131
- GSK Epoxy Coating Certificate GSK-ID:1247 (RAL-GZ 662)

Features

- Valve with automatic mechanical closing for installation in pumping systems preventing the return of the flow
- Valve available in threaded or flanged model
- Full complete passage without obstacles, avoiding head loss
- The ball self-cleaning during the valve operation
- Easy maintenance valve, innovative system for removing the ball, which allows the ball to be removed from the valve, using only the key designed for this purpose, it is not necessary to remove the valve from the pipeline
- The valve should be installed on the horizontal or vertical position, the flow must coincide with the arrow direction engraved on the valve body
- Round EPDM or NBR (on request) bonnet gasket fixed in a recess, surrounding the bolts, ensuring a perfect seal
- EPDM coated aluminum ball (DN32 a DN100); Ductile iron EN-GJS-500-7 (DN125 a DN400); The rubber's hardness is optimized to prevent the ball from getting stuck
- Accessories: Key for ball extraction [ref.05.800]
- On request the possibility of applying a plug for checking and cleaning.



Fucoli Somepal
FUNDAÇÃO DE FERRO, S. A.

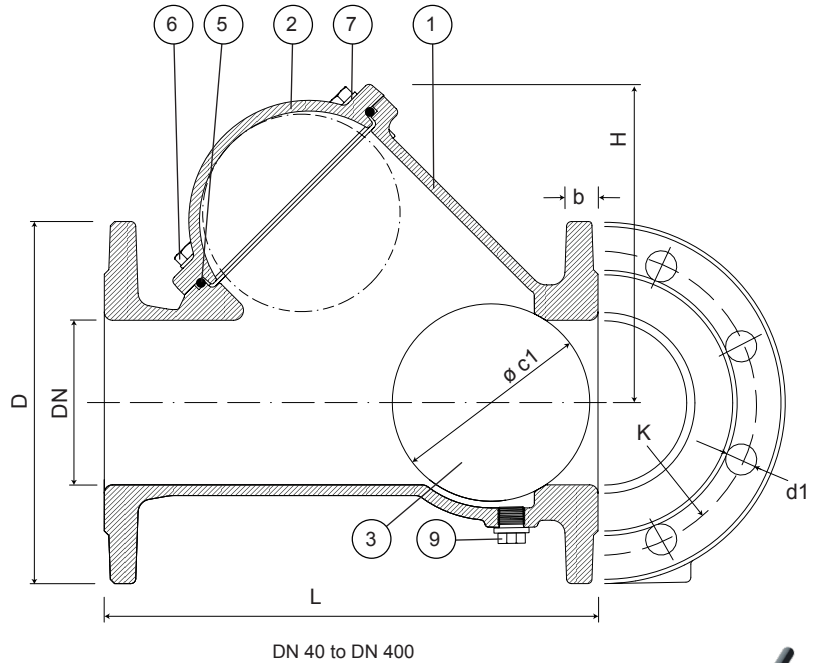
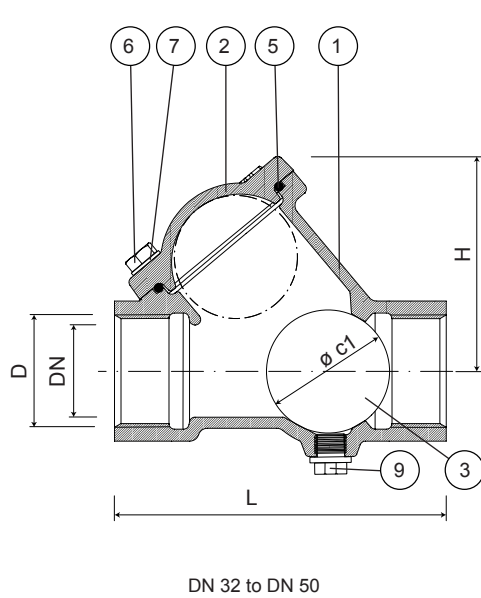
Visit our website at www.fucoli-somepal.pt

Head office: Estrada de Coselhas, 3000-125 Coimbra – Portugal | Tel.: (+351) 239 490100 | Fax: (+351) 239 490198

Branch office: Rua de Aveiro 50, 3050-420 Pampilhosa – Portugal | Tel.: (+351) 239 490100 | Fax: (+351) 231 949292 | comercial@fucoli-somepal.pt

CHECK VALVE BOLA
metal/rubber sealed
DN 32 - 400 PN10/16

03.300



Component list

pos.	components	material	standard
1	Body	Ductile iron EN-GJS-500-7	EN 1563
2	Bonnet	Ductile iron EN-GJS-500-7	EN 1563
3	Ball	Aluminium ALSi 12 [DN32 to DN100] Ductile iron EN-GJS-500-7 [DN125 to DN400]	EN 1706 EN 1563
	Ball covering	Elastomer EPDM	EN 681 - 1
5	Bonnet gasket	Elastomer EPDM	EN 681 - 1
6	Bolts	Stainless steel A2	EN 10088 - 1
7	Washers	Stainless steel A2	EN 10088 - 1
9	Plug (option)	Stainless steel A4	EN 10088 - 1



Detail of the extraction
the ball using the key [ref.05.800]



Detail of the plug (option)

Reference and dimensions

DN	PN	code	D	ø c1 mm	L mm	H mm	K mm	n° x d1 mm	b mm	⊙ (option)	Kg approx.
Threaded model			(BSP)								
32	-	10763514	G 1 1/4"	50	140	105	-	-	-	G 1/4"	3
40	-	10763524	G 1 1/2"	50	150	105	-	-	-	G 1/4"	3
50	-	10763534	G 2"	65	180	120	-	-	-	G 3/8"	5
Flanged model			mm								
40	10/16	10763544	150	50	180	105	110	4 x 19	19	G 1/4"	7
50	10/16	10763554	165	65	200	120	125	4 x 19	19	G 3/8"	8
60	10/16	10763564	175	80	240	142	135	4 x 19	19	G 3/8"	10
65	10/16	10763574	185	80	240	142	145	4 x 19	19	G 3/8"	10
80	10/16	10763584	200	100	260	165	160	8 x 19	19	G 3/8"	14
100	10/16	10763594	220	120	300	194	180	8 x 19	19	G 3/8"	19
125	10/16	10763604	250	146	350	221	210	8 x 19	19	G 1/2"	25
150	10/16	10763614	285	173	400	262	240	8 x 23	19	G 1/2"	35
200	10	10763624	340	238	500	353	295	8 x 23	20	G 1/2"	61
200	16	10763628	340	238	500	353	295	12 x 23	20	G 1/2"	61
250	10	10763634	400	298	600	437	350	12 x 23	22	G 3/4"	99
250	16	10763638	400	298	600	437	355	12 x 28	22	G 3/4"	99
300	10	10763644	455	358	700	523	400	12 x 23	24.5	G 3/4"	147
300	16	10763648	455	358	700	523	410	12 x 28	24.5	G 3/4"	147

continued on next page

All the drawing, technical data, dimensions and weights are not binding. Subject to change. The components may be replaced by equivalent or higher materials without prior notice.

Ed.8 Rev. 3 2/3

CHECK VALVE BOLA
metal/rubber sealed
DN 32 - 400 PN10/16

03.300



continued from previous page

DN	PN	code	D	ø c1 mm	L mm	H mm	K mm	n° x d1 mm	b mm	⑨ (option)	Kg approx.
350	10	10763654	505	418	800	611	460	16 x 23	24.5	G 1"	206
350	16	10763658	520	418	800	611	470	16 x 28	26.5	G 1"	213
400	10	10763664	565	478	900	700	515	16 x 28	24.5	G 1"	299
400	16	10763668	580	478	900	700	525	16 x 31	28	G 1"	308



Fucoli Somepal
 FUNDIÇÃO DE FERRO, S. A.

Visit our website at www.fucoli-somepal.pt

Head office: Estrada de Coselhas, 3000-125 Coimbra – Portugal | Tel.: (+351) 239 490100 | Fax: (+351) 239 490198

Branch office: Rua de Aveiro 50, 3050-420 Pampilhosa – Portugal | Tel.: (+351) 239 490100 | Fax: (+351) 231 949292 | comercial@fucoli-somepal.pt

