

SOFT SEALING GATE VALVE WITH PE PIPES SPIGOT ENDS SÉCULO XXI

PE100 PN16 SDR11 pipe end

DN 25 - 40 PN16

02.203



Product description

- Soft sealing gate valve with PE spigot ends series SÉCULO XXI for drinking water and neutral liquids
- Service temperature from 0°C (excluding frost) to 40°C

Standards

- Designed according to EN 1074 part 1 & 2 and EN 1171
- PE 100 PN16 SDR11 pipe according to EN 12201-2

Tests

All valves are individually hydrostatically tested according to EN 1074-1/2 and EN 12266:

- Seal 1.1 x PN (in bar); Body: 1.5 x PN (in bar). Operation torque test

Corrosion protection

- Epoxy powder coating RAL 5005
- Applied internal and external with a minimum coating thickness of 250 µm
- Potable water approved epoxy coating, fusion bonded according DIN 3476-1, EN 14901 and GSK approved

Approvals

- Certified according to EN 1074-1/2: AENOR Certificate B18/000001
- ACS Potability Certificate 15 ACC NY 002
- GSK Epoxy Coating Certificate GSK-ID:1247 (RAL-GZ 662)

Features

- Isolation service valve for drinking water
- Full bore
- Low operating torque
- Brass stem washer provides stress fixation and low operating torque
- Stainless steel stem with rolled threads produced by cold rolling process, which keeps the steel structure and increase its mechanical resistance
- Stem sealing with POM bearing with 4 O-rings and a bottom joint in EPDM
- Brass wedge fully vulcanized with drinking water approved EPDM
- Round EPDM bonnet gasket fixed in a recess ensuring a perfect seal
- Body/bonnet bolts in stainless steel A2 encased and sealed ensuring full corrosion protection
- PE100 PN16 SDR11 pipe end that allow a perfect butt fusion and electrofusion with the PE pipeline
- The PE pipe is pressed onto the grooved valve end body and blocked with a cast iron sleeve and sealed with plastic shrink hose
- Accessories: handwheel [ref.05.100], stem cap [ref. 05.200], extension spindle [ref. 05.300] and surface box [ref. 05.500]
- On request possibility of stem in stainless steel AISI 316L, NBR sealings and wedge nut in different brass grades.



Fucoli Somepal
FUNDAÇÃO DE FERRO, S. A.

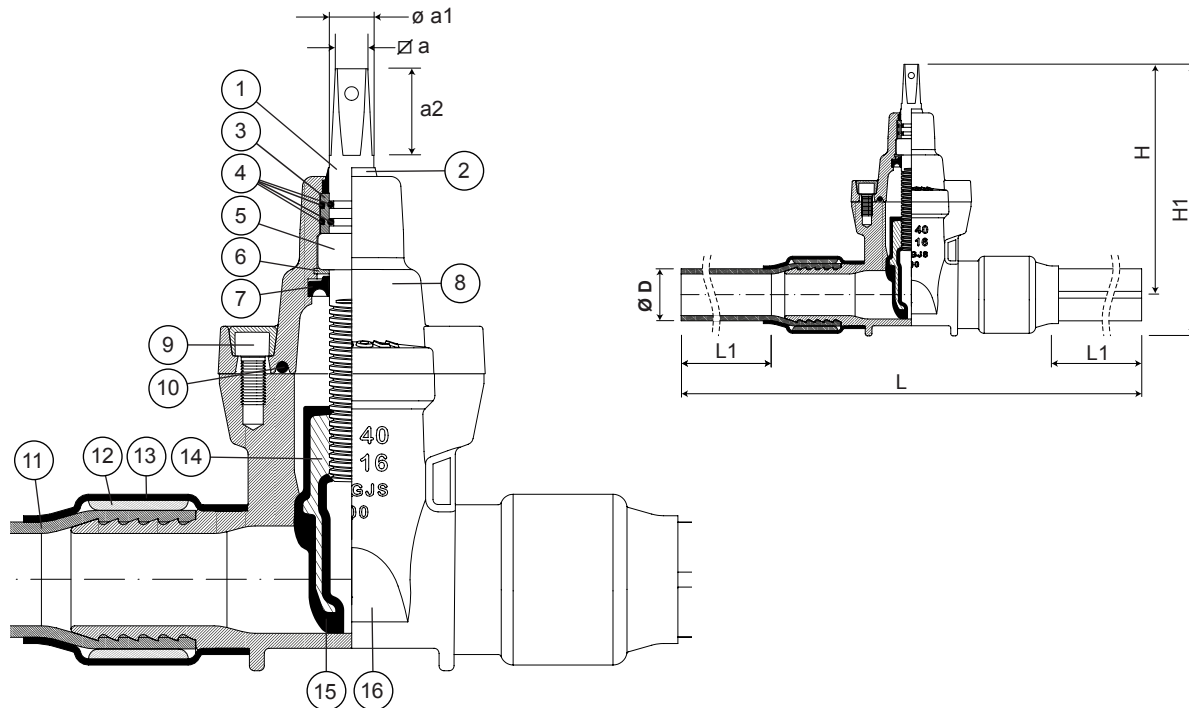
Visit our website at www.fucoli-somepal.pt

Head office: Estrada de Coselhas, 3000-125 Coimbra – Portugal | Tel.: (+351) 239 490100 | Fax: (+351) 239 490198

Branch office: Rua de Aveiro 50, 3050-420 Pampilhosa – Portugal | Tel.: (+351) 239 490100 | Fax: (+351) 231 949292 | comercial@fucoli-somepal.pt

SOFT SEALING GATE VALVE WITH PE PIPES SPIGOT ENDS SÉCULO XXI
PE100 PN16 SDR11 pipe end
DN 25 - 40 PN16

02.203



Component list

pos.	components	material	standard
1	Stem	Stainless steel AISI 420	EN 10088 - 1
2	Clearing joint	Elastomer	-
3	Bearing	POM	-
4	O-rings	Elastomer EPDM	EN 681 - 1
5	Stem washer	Brass	EN 12164
6	Retaining ring	Stainless steel A2	EN 10088 - 1
7	Joint	Elastomer EPDM	EN 681 - 1
8	Bonnet	Ductile iron EN-GJS-500-7	EN 1563
9	Bolts	Stainless steel A2	EN 10088 - 1

pos.	components	material	standard
10	Bonnet gasket	Elastomer EPDM	EN 681 - 1
11	Pipe	PE100 PN16 SDR11	EN 12201 - 2
12	Sleeve	Ductile iron EN-GJS-500-7	EN 1563
13	Shrink hose	Plastic	-
14	Wedge	Ductile iron EN-GJS-500-7	EN 1563
15	Wedge covering	Elastomer EPDM	EN 681 - 1
16	Body	Ductile iron EN-GJS-500-7	EN 1563

Reference and dimensions

DN	Ø D ext. PE	code	L mm	L1 mm	H mm	H1 mm	Ø a mm	Ø a1 mm	a2 mm	turns to open	Kg approx.
25	32	10745000	615	200	177	204	13.1	18	35	7	3
32	40	10745010	625	200	206	243	13.1	18	35	10	5
40	50	10745020	625	200	206	243	13.1	18	35	10	6



Fucoli Somepal
 FUNDAÇÃO DE FERRO, S.A.

Visit our website at www.fucoli-somepal.pt

Head office: Estrada de Coselhas, 3000-125 Coimbra – Portugal | Tel.: (+351) 239 490100 | Fax: (+351) 239 490198

Branch office: Rua de Aveiro 50, 3050-420 Pampilhosa – Portugal | Tel.: (+351) 239 490100 | Fax: (+351) 231 949292 | comercial@fucoli-somepal.pt



100% MADE IN EUROPE